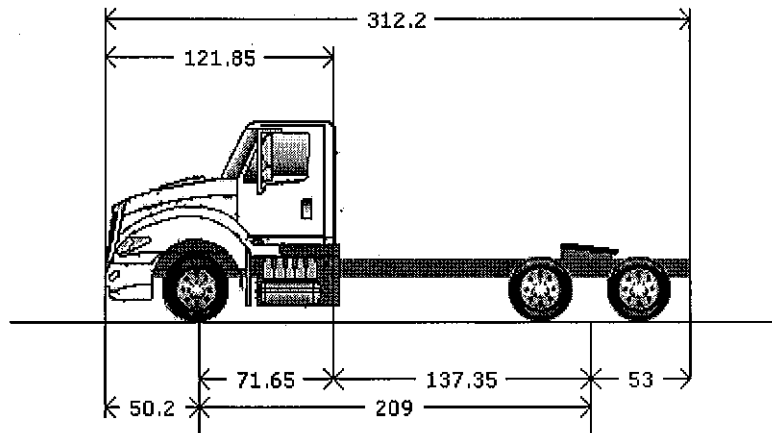


**Prepared For:**  
 Webb County  
 Tomas Sanchez  
 PO Box 123  
 Laredo, TX 78041-  
 (972)111 - 1111  
 Reference ID: N/A

**Presented By:**  
 SANTEX TRUCK CENTERS, LTD.  
 Rick DeNolf  
 1380 ACKERMAN RD.  
 SAN ANTONIO TX 78219 -  
 (210)661-8371

Thank you for the opportunity to provide you with the following quotation on a new International truck. I am sure the following detailed specification will meet your operational requirements, and I look forward to serving your business needs. **TERMS:** Our standard municipal contract purchase terms are NET 30 days from the date of delivery of the chassis to the customer's designated body company of choice. This quote is good for 60 Days.



**Model Profile**  
**2015 PROSTAR+ 122 6x4 (LF687)**

<b>MISSION:</b>	Requested GCWR: 80000. Calc. GVWR: 52350
<b>DIMENSION:</b>	Wheelbase: 209.00, CA: 137.35, Axle to Frame: 53.00
<b>ENGINE, DIESEL:</b>	{Navistar N13} EPA 10, SCR, 475 HP @ 1700 RPM, 1700 lb-ft Torque @ 1000 RPM, 1900 RPM Governed Speed, 475 Peak HP (Max)
<b>TRANSMISSION, MANUAL:</b>	{Fuller FRO-17210C} 10-Speed Manual, With Overdrive, With Air Shift, With Internal Lube Oil Pump
<b>CLUTCH:</b>	{Eaton Fuller Solo Advantage} Self-Adjusting, Two-Plate, Cast Angle Spring; Ceramic, 15.5" Diameter, 7-Spring Coaxial VCT Plus Damper (Soft Rate) Mechanical Pull-Type Control, 6-Button Disc, 1860 lb-ft Torque Capacity
<b>AXLE, FRONT NON-DRIVING:</b>	{Hendrickson Steertek NXT} Wide Track, Fabricated Type, 13,200-lb Capacity
<b>AXLE, REAR, TANDEM:</b>	{Meritor MT-40-14X-4CFR} Single Reduction, 0.433"(11mm) Wall Housing Thickness, 40,000-lb Capacity, R Wheel Ends, Amboid Gearing in Rear Rear Axle Gear Ratio: 3.42
<b>CAB:</b>	Conventional
<b>TIRE, FRONT:</b>	(2) 11R22.5 G661 HSA (GOODYEAR) 497 rev/mile, load range G, 14 ply
<b>TIRE, REAR:</b>	(8) 11R22.5 G622 RSD (GOODYEAR) 497 rev/mile, load range G, 14 ply
<b>SUSPENSION, REAR, AIR, TANDEM:</b>	{International} Ride Optimized Suspension (IROS) Heavy Duty; 52" Axle Spacing; 40,000-lb Capacity, 9.25" Ride Height, Includes Heavy Duty Spring Hangers, Crossmembers and Fasteners, With Shock Absorbers
<b>PAINT:</b>	Cab schematic 100HR Location 1: 9219, Winter White (Std) Chassis schematic N/A

<u>Description</u>	<u>F/R Wt</u> (lbs)	<u>Tot Wt</u> (lbs)	<u>List</u> (US DOLLAR)
Base Chassis, Model PROSTAR+ 122 6x4 with 209.00 Wheelbase, 137.35 CA, and 53.00 Axle to Frame.	8130/6822	14952	\$167,412.00
TOW HOOK, FRONT (2) Frame Mounted	22/0	22	\$73.00
RAMPS for 5th Wheel	0/10	10	\$79.00
FRAME RAILS Heat Treated Alloy Steel (120,000 PSI Yield); 10.125" x 3.580" x 0.312" (257.2mm x 90.9mm x 8.0mm); 367.4" (9333mm) Maximum OAL	75/73	148	\$0.00
BUMPER, FRONT 3-Piece, Plastic, Aero, Molded Dark Gray Color	0/0	0	\$0.00
WHEELBASE RANGE 187" (475cm) Through and Including 219" (555cm)	0/0	0	\$786.00
DECK PLATE Aluminum; Non Bright Finish; (2) Section Flush Mounted	4/12	16	\$90.00
AXLE, FRONT NON-DRIVING {Hendrickson Steertek NXT} Wide Track, Fabricated Type, 13,200-lb Capacity	47/0	47	\$245.00
SUSPENSION, FRONT, SPRING Parabolic, Taper Leaf; 14,000-lb Capacity; With Shock Absorbers	28/0	28	\$312.00
BRAKE SYSTEM, AIR Dual System for Tractor Applications	0/0	0	\$0.00
BRAKES, FRONT, AIR CAM 16.5" x 5", Includes 24 SqIn Long Stroke Brake Chambers	0/0	0	\$0.00
BRAKE CHAMBERS, ADDITIONAL (2) {Haldex} Spring Brake Type; 30/30 SqIn	-1/26	25	\$220.00
AIR BRAKE ABS {Bendix AntiLock Brake System} Full Vehicle Wheel Control System (4-Channel) With Automatic Traction Control	0/0	0	\$132.00
AIR DRYER {Bendix AD-IS} With Heater, Includes Pressure Protection Circuits, Safety Valve, and Purge Tank	0/0	0	\$0.00
BRAKE CHAMBERS, FRONT AXLE {Haldex} 24 SqIn	0/0	0	\$0.00
BRAKE CHAMBERS, REAR AXLE {Haldex GC3030LHDHO} 30/30 Spring Brake	0/0	0	\$0.00
BRAKES, REAR, AIR CAM S-Cam; 16.5" x 8.625" Includes 30/30 Sq.In. Long Stroke Brake Chambers and Spring Actuated Parking Brake	0/20	20	\$222.00
AIR COMPRESSOR {Bendix BA-921 Head Unload} 15.9 CFM Capacity, Single Cylinder	0/0	0	\$0.00
AIR TANK LOCATION (2) : Two Mounted Under Battery Box, Outside Left Rail, Under Cab; Perpendicular to Rail	0/0	0	\$0.00
STEERING COLUMN Tilting	0/0	0	\$0.00
STEERING WHEEL 2-Spoke, 18" Diam., Black	0/0	0	\$0.00
STEERING GEAR {Sheppard HD94} Power	0/0	0	\$0.00
POWER STEERING OIL COOLER Remote Mounted	4/0	4	\$0.00
EXHAUST SYSTEM Switchback Horizontal Aftertreatment Device, Frame Mounted Right Side Under Cab; Includes Single Vertical Tail Pipe, Frame Mounted Right Side Back of Cab	89/20	109	\$0.00
AFTERTREATMENT COVER Non-Bright	4/0	4	\$0.00
ENGINE COMPRESSION BRAKE by Jacobs; for N13 Engines, With Selector Switch and On/Off Switch	48/1	49	\$2,158.00
TAIL PIPE (1) Turnback Type, Non-Bright, for Single Exhaust	0/0	0	\$64.00
ELECTRICAL SYSTEM 12-Volt, Standard Equipment	0/0	0	\$0.00
POWER SOURCE Cigar Type Receptacle without Plug and Cord	1/0	1	\$30.00

<u>Description</u>	<u>F/R Wt</u> (lbs)	<u>Tot Wt</u> (lbs)	<u>List</u> (US DOLLAR)
ALTERNATOR {Bosch LH160} Brush Type, 12 Volt 160 Amp. Capacity, Pad Mount	0/0	0	\$0.00
BATTERY SYSTEM {International} Maintenance-Free, (3) 12-Volt 1950CCA Total	0/0	0	\$10.00
CB ANTENNA {Pana-Pacific} Full Wave; 4.0' Length Includes "International" Name on Top	2/0	2	\$17.00
CB RADIO Accommodation Package; Header Mounted; Feeds From Accessory Side of Ignition Switch; Includes Power Source and One (1) Antenna Base With Wiring	0/0	0	\$0.00
RADIO AM/FM/WB/Clock/3MM Auxiliary Input, with Multiple Speakers	1/0	1	\$368.00
BACK-UP ALARM Electric, 102 dBA	0/3	3	\$120.00
STOP, TURN, TAIL & B/U LIGHTS {Truck Lite} Super 44, With LED Bulbs for Stop, Turn & Tail Lights, License Plate Light and Backup lights, With Power Module, "International" Termination and Less Junction Box	-2/14	12	\$158.00
JUMP START STUD Remote Mounted	2/0	2	\$128.00
HORN, AIR Black, Single Trumpet, Air Solenoid Operated	0/0	0	\$0.00
BATTERY BOX Aluminum With Plastic Cover, 30" Wide, 2, 3 or 4 Battery Capacity, Mounted Left Side Under Cab	-33/-9	-42	\$0.00
RUNNING LIGHT (2) Daytime	0/0	0	\$0.00
TEST EXTERIOR LIGHTS Pre-Trip Inspection will Cycle all Exterior Lamps Except Back-up Lights	0/0	0	\$0.00
HEADLIGHTS ON W/WIPERS Headlights Will Automatically Turn on if Windshield Wipers are turned on	0/0	0	\$0.00
HEADLIGHT WARNING BUZZER Sounds When Head Light Switch is on and Ignition Switch is in "Off" Position	0/0	0	\$0.00
STARTING MOTOR {Mitsubishi Electric Automotive America 105P} 12-Volt, with Soft-Start	0/0	0	\$0.00
CIRCUIT BREAKERS Manual-Reset (Main Panel) SAE Type III With Trip Indicators, Replaces All Fuses Except For 5-Amp Fuses	0/0	0	\$99.00
HEADLIGHTS Halogen, with Park Lights and Daytime Running Lights	-15/2	-13	\$0.00
INSULATION, UNDER HOOD for Sound Abatement	3/0	3	\$167.00
FRONT END Tilting, Fiberglass, With Three Piece Construction	0/0	0	\$0.00
FENDER EXTENSIONS Molded in Gray	0/0	0	\$0.00
PAINT SCHEMATIC, PT-1 Single Color, Design 100	0/0	0	\$0.00
PAINT TYPE Base Coat/Clear Coat, 1-2 Tone	0/0	0	\$0.00
FIFTH WHEEL, AIR SLIDE {Fontaine SLNLTWO875024} 24" Slide, 8.75" Above Top of Frame, Left Side Release	0/486	486	\$2,586.00
MUD FLAP HOLDER Spring Loaded, Painted Black; With 45-Degree End, With Red and White Reflective Tape; Less Flaps	0/0	0	\$10.00
MUD FLAPS, REAR Black Rubber, Anti-Sail Less Logo; Less Holders	0/8	8	\$70.00
CLUTCH {Eaton Fuller Solo Advantage} Self-Adjusting, Two-Plate, Cast Angle Spring; Ceramic, 15.5" Diameter, 7-Spring Coaxial VCT Plus Damper (Soft Rate) Mechanical Pull-Type Control, 6-Button Disc, 1860 lb-ft Torque Capacity	-3/0	-3	\$306.00
CLUTCH EFFECTS Hydraulic Clutch Actuation System	0/0	0	\$0.00

<u>Description</u>	<u>F/R Wt</u> (lbs)	<u>Tot Wt</u> (lbs)	<u>List</u> (US DOLLAR)
ENGINE, DIESEL {Navistar N13} EPA 10, SCR, 475 HP @ 1700 RPM, 1700 lb-ft Torque @ 1000 RPM, 1900 RPM Governed Speed, 475 Peak HP (Max)	0/0	0	\$1,045.00
FAN DRIVE {Horton Drivemaster} Direct Drive Type, Two Speed With Residual Torque Device for Disengaged Fan Speed	0/0	0	\$121.00
RADIATOR Aluminum; Single Row, Down Flow System, 1429 SqIn, Front to Back, 764.1 SqIn CAC, 1123.3 SqIn LTR	0/0	0	\$0.00
FEDERAL EMISSIONS EPA, OBD and GHG Certified for Calendar Year 2014; N13 Engines	0/0	0	\$0.00
AIR CLEANER Single Element	0/0	0	\$0.00
HOSE CLAMPS, RADIATOR HOSES {Gates} Shrink Band Type	0/0	0	\$0.00
COLD STARTING EQUIPMENT Automatic; With Engine ECM Control	0/0	0	\$0.00
FAN DRIVE SPECIAL EFFECTS Fan Cooling Ring with Fan Shroud Effects, Engine Mounted	0/0	0	\$0.00
EMISSION COMPLIANCE Federal, Does Not Comply With California Clean Air Idle Regulations	0/0	0	\$0.00
TRANSMISSION, MANUAL {Fuller FRO-17210C} 10-Speed Manual, With Overdrive, With Air Shift, With Internal Lube Oil Pump	34/11	45	\$1,496.00
CLUTCH HOUSING Aluminum; Available With 1350 to 2050 lb-ft Capacity Fuller Transmissions	-39/-14	-53	\$0.00
OIL COOLER, MANUAL TRANSMISSION Water to Oil Type Included in Radiator End Tank (REQUIRES TRANSMISSION LUBE PUMP)	2/0	2	\$0.00
TRANSMISSION OIL {EmGard 50W} Synthetic; 22 thru 33.99 Pints	0/0	0	\$0.00
PDL WARNING BUZZER Power Divider Lock	0/2	2	\$30.00
SUSPENSION AIR CONTROL VALVE Pressure Release Control In Cab	6/2	8	\$163.00
AXLE, REAR, TANDEM {Meritor MT-40-14X-4CFR} Single Reduction, 0.433"(11mm) Wall Housing Thickness, 40,000-lb Capacity, R Wheel Ends, Amboid Gearing in Rear Rear Axle . Gear Ratio: 3.42	0/50	50	\$0.00
SUSPENSION, REAR, AIR, TANDEM {International} Ride Optimized Suspension (IROS) Heavy Duty; 52" Axle Spacing; 40,000-lb Capacity, 9.25" Ride Height, Includes Heavy Duty Spring Hangers, Crossmembers and Fasteners, With Shock Absorbers	0/0	0	\$0.00
AXLE, REAR, LUBE {EmGard FE-75W-90} Synthetic Oil; 50 thru 64.99 Pints	0/0	0	\$0.00
FUEL TANK (2) Top Draw; Non-Polished Aluminum, 26" Diam., 80 U.S. Gal., 303L Capacity, Total Capacity 160 U.S. Gal. 606L, with Dual Supply & Return Lines, Less Equalizer Line, Mounted Back of Cab Right & Left Side	64/56	120	\$839.00
FUEL/WATER SEPARATOR {Racor} Fuel Pre-Filter and Filter Base, Includes Water-In-Fuel Sensor	0/0	0	\$0.00
DEF TANK 16 U.S. Gal. 60.6L Capacity, Frame Mounted Outside Left Rail, Under Cab	0/0	0	\$0.00
CAB Conventional	0/0	0	\$0.00
CAB INTERIOR TRIM ACCENT Dark Neutral	0/0	0	\$0.00
GAUGE CLUSTER {Black Bezel} Black Face; English with English Electronic Speedometer and Tachometer for Air Brake Chassis, Includes Voltmeter, Engine Coolant Temp & Oil Pressure, Prim & Sec Air Pressure, Fuel w/Warning Ind. & Alarm; Odometer, Trip, Engine Hr., Trip Hr, Fuel Econ, Trip Average Fuel Econ	0/0	0	\$0.00

<u>Description</u>	<u>F/R Wt</u> (lbs)	<u>Tot Wt</u> (lbs)	<u>List</u> (US DOLLAR)
WINDOW, WING VENT (2) Fixed	0/0	0	\$0.00
GAUGE, DEF FLUID LEVEL	0/0	0	\$0.00
SEAT, DRIVER {National 2000 Model 195} Air Suspension, High Back, Vinyl Boxing With Cloth Facing, 2 Arm Rests, Isolator, 7" Adjuster, 1 Chamber Lumbar, 2 Way Front Cushion Adjust, 3-14 Degree Back Angle Adjust	2/0	2	\$129.00
SEAT, PASSENGER {National 2000 Model 195} Air Suspension, High Back, Vinyl Boxing With Cloth Facings, 2 Arm Rests, Isolator, 7" Adjuster, 1 Chamber Lumbar, 2 Way Front Cushion Adjust, 3-14 Degree Back Angle Adjustment	39/4	43	\$505.00
MIRRORS (2) {Lang Mekra} Rectangular, 7.44" x 14.84" & 7.44" sq. Convex Both Sides, 102" Inside Spacing, Breakaway Type, Heated Heads Thermostatic Controlled, Black Heads, Brackets and Arms	0/0	0	\$0.00
CAB INTERIOR TRIM ; ProStar Deluxe, for Day Cab	0/0	0	\$0.00
AIR CONDITIONER {Blend-Air} With Integral Heater & Defroster	0/0	0	\$0.00
WINDOW, POWER (2) And Power Door Locks, Left and Right Doors, Includes Express Down Feature	5/0	5	\$344.00
LOW WASHER FLUID INDICATOR	0/0	0	\$0.00
ACCESS, CAB AND FRAME Non-Bright; Includes Driver & Passenger Side Cab Access, Two Steps per Door and Left Side Frame Access Step With One Flush Mounted Deck Plate and Black Grab Handle; With Daycab or Sleeper Cabs	40/21	61	\$417.00
WHEELS, FRONT {Accuride} DISC; 22.5" Painted Steel, 5 Hand Hole, 10-Stud (285.75MM BC) Hub Piloted, Flanged Nut, Metric Mount, 8.25 DC Rims; With Aluminum Hubs	-11/0	-11	\$245.00
WHEELS, REAR {Accuride} DUAL DISC; 22.5" Painted Steel, 5 Hand Hole, 10-Stud (285.75MM BC) Hub Piloted, Flanged Nut, Metric Mount, 8.25 DC Rims; With Aluminum Hubs.	0/-30	-30	\$584.00
(8) TIRE, REAR 11R22.5 G622 RSD (GOODYEAR) 497 rev/mile, load range G, 14 ply	0/80	80	\$1,656.00
(2) TIRE, FRONT 11R22.5 G661 HSA (GOODYEAR) 497 rev/mile, load range G, 14 ply	26/0	26	\$350.00
FIFTH WHEEL LOCATION On Rear Axle Centerline	0/0	0	\$0.00
<b>Total of Product Features</b>			<b>\$183,786.00</b>
<b>Services Section:</b>			
WARRANTY Standard for TranStar, 9900i, ProStar and LoneStar, Effective with Vehicles Built January 2, 2014 or Later, CTS-2004U	0/0	0	\$0.00
SRV CONTRACT, EXT ENGINE {Navistar} To 60-Month/200,000 Miles (320,000 km), 7,200 Hours; Includes Engine Electronics, Turbocharger, Water Pump and Fuel Injectors, for Navistar N13 Engines with GREATER THAN 450 Horsepower	0/0	0	\$5,280.00
<b>Total of Service Features</b>			<b>\$5,280.00</b>
<b>Total Component Weight:</b>	<b>8574/7670</b>	<b>16244</b>	
<b>Total List Price Including Options:</b>			<b>\$189,066.00</b>

**INTERNATIONAL®**

Vehicle Specifications  
**2015 PROSTAR+ 122 6x4 (LF687)**

**August 15, 2014**

The weight calculations included in this proposal are an estimate of future vehicle weight. The actual weight as manufactured may be different from the estimated weight. Navistar, Inc. shall not be liable for any consequences resulting from any differences between the estimated weight of a vehicle and the actual weight.

<u>Description</u>	<u>(US DOLLAR)</u>	<u>Price</u>
Factory List Prices:		
Product Items	\$183,786.00	
Service Items	\$5,280.00	
Total Factory List Price Including Options:		\$189,066.00
Commercial Vehicle Inspection & Safety Equipment	\$250.00	
HD Preparation & Delivery	\$550.00	
Total Preparation And Delivery:		\$800.00
Freight	\$2,125.00	
Total Freight:		\$2,125.00
Total Factory List Price Including Freight:		\$191,991.00
Less Customer Allowance:		(\$86,533.00)
Total Vehicle Price:		\$105,458.00
Total Sale Price:		\$105,458.00
Total Per Vehicle Sales Price:		\$105,458.00
Net Sales Price:		\$105,458.00

Please feel free to contact me regarding these specifications should your interests or needs change. I am confident you will be pleased with the quality and service of an International vehicle.

**Approved by Seller:**

**Accepted by Purchaser:**

\_\_\_\_\_  
Official Title and Date

\_\_\_\_\_  
Firm or Business Name

\_\_\_\_\_  
Authorized Signature

\_\_\_\_\_  
Authorized Signature and Date

**This proposal is not binding upon the seller without Seller's Authorized Signature**

\_\_\_\_\_  
Official Title and Date

**The TOPS FET calculation is an estimate for reference purposes only. The seller or retailer is responsible for calculating and reporting/paying appropriate FET to the IRS.**

**LIMITED WARRANTY FOR MODELS  
TRANSTAR® , 9000I, PROSTAR®, LONESTAR®**  
\*Effective with vehicles built January 02, 2014 or later

**BASIC VEHICLE**

Navistar, Inc., at its option, will repair or replace any part of this vehicle that proves defective in material or workmanship, in normal use and service, with new or ReNeWed® parts, based on the Component Coverages below. Exceptions are listed below:

COMPONENT COVERAGE	MONTHS	MILEAGE (MI)
<b>BASIC VEHICLE WARRANTY (Feature Code 40011)</b>	12	100/160
Towing (Vehicles with MaxxForce® 10 engine failures only)	24	250/400
Towing (Vehicles with N13 engine failures only)	24	Unlimited
Towing (First 90 days see below) (Vehicle Down Situations Only) (See exceptions listed below)		
<b>Note: Items not listed in warranty exceptions follow base warranty.</b>		
<b>WARRANTY EXCEPTIONS</b>		
<b>GLASS COVERAGE</b>	<b>MONTHS</b>	<b>MILEAGE (MI)</b>
Frame side rails	60	Unlimited
Cab/cowl structure	60	Unlimited
Cab/cowl perforation corrosion	60	Unlimited
<b>ENGINE COVERAGE</b>	<b>MONTHS</b>	<b>MILEAGE (MI)</b>
<b>Non-Rescue Applications</b>		
MaxxForce® 10 Engine	24	250/400
N13 Engine	24	Unlimited
N13 Major Components	60	500/800
<i>Major Components are cylinder block, main bearing bolts, cylinder head castings and capcovers, crankshaft, camshaft, cam follower, connecting rods/caps/bolts, intake manifold castings, and gear train gears.</i>		
<b>Rescue Application Only (Fire Truck, Ambulance, Emergency)</b>		
MaxxForce® 10 Engine	60	100/160
N13 Engine	60	100/160
<b>DRIVE SHAFT COVERAGE</b>	<b>MONTHS</b>	<b>MILEAGE (MI)</b>
Rear Axle Weight Rating Greater than 52,000 lb		
Front Axle Assembly	12	Unlimited
Rear Axle and Differential	12	Unlimited
Transmission	12	Unlimited
Rear Axle Weight Ratings of 52,000 lb and Less		
Front Axle Assembly	36	300/480
Rear Axle and Differential	36	300/480
Transmission	36	300/480
<b>MISCELLANEOUS COVERAGE</b>	<b>MONTHS</b>	<b>MILEAGE (MI)</b>
Brighwork, Chassis Paint and Corrosion (Other than Cab)	6	Unlimited

**INTERNATIONAL TRUCK DEPARTMENT**  
Correction of loose fasteners, squeaks, rattles and unusual noises. Towing (unless specific coverage is stated above). Adjustments and Maintenance (such as air headlamps, adjust brakes/clutch, adjust steering system, check and fill coolant levels).

**WHAT IS NOT INCLUDED UNDER BASIC COVERAGE**

**Components/Items**

- Components warranted by their respective manufacturers (such as non-International® brand engines, tires, Allison Transmissions, lubricants, Cummins engines, Agility Fuel Systems, etc.)
- Bodies, equipment, and accessories installed by other than authorized International® Truck employees at International® Truck manufacturing plants
- Front and rear axle alignment

**Repairs & Maintenance**

- Maintenance-related items/repairs, or those needed as a result of normal wear and tear, including tune-ups, brake/clutch linings, windshield wiper blades, tire balancing, lubrication, and other similar procedures/parts required to keep vehicle in good working condition
- Failures that are the result of poor fuel quality, water in fuel, rust, etc.
- Repairs needed as a result of vehicle misuse, negligent care, improper maintenance, improper operation, or the result of accident or collision
- Fade, runs, mismatch or damage to paint, trim items, upholstery, chrome, polished surfaces, etc., resulting from environmental causes such as improper polishes, cleaners or washing solutions, or chemical and industrial fallout
- Failure to observe published capacity or load specifications for engine, transmission, propeller shaft, axles (powertrain) and suspension

**Other**

- Vehicles sold and/or operated outside the United States and Canada
- Vehicles/components that have had unauthorized alterations or modifications
- Vehicles on which the odometer reading has been altered
- Loss of time or use of the vehicle, loss of profits, inconvenience, or other consequential or incidental damages or expenses
- Replacement of defective parts with parts other than those provided by Navistar, Inc

**OBTAINING SERVICE**

Return this vehicle to any International Truck Dealer authorized to service this model vehicle and engine.

*This warranty is automatically transferred to subsequent owners at no charge. Visit your local Authorized International Truck Dealer for name and address change information.*

*Note: The customer has 365 days and up to a maximum of 100,000 miles (160,000 km) from DTU to purchase an extended warranty on the unit. For extended warranty purchases between 181 and 365 days from DTU and <100,000 miles (160,000 km) an additional fee will be assessed. See your local International dealer for details.*



**DISCLAIMER**

NO WARRANTIES ARE GIVEN BEYOND THOSE DESCRIBED HEREIN. THIS WARRANTY IS IN LIEU OF ALL OTHER WARRANTIES, EXPRESSED OR IMPLIED. THE COMPANY SPECIFICALLY DISCLAIMS WARRANTIES OF MERCHANTABILITY AND FITNESS FOR A PARTICULAR PURPOSE, ALL OTHER REPRESENTATIONS TO THE USER/PURCHASER AND ALL OTHER OBLIGATIONS OR LIABILITIES. THE COMPANY FURTHER EXCLUDES LIABILITY FOR INCIDENTAL AND CONSEQUENTIAL DAMAGES, ON THE PART OF THE COMPANY OR SELLER. No person is authorized to give any other warranties or to assume any liabilities on the Company's behalf unless made or assumed in writing by the Company, and no other person is authorized to give any warranties or to assume any liabilities on the seller's behalf unless made or assumed in writing by the seller.

**Remedies Under State or Provincial Law:** Some States and Provinces do not allow the exclusion or limitation of incidental or consequential damages, so the above limitation or exclusion may not apply to the owner. This warranty gives the owner specific legal rights, and he may also have other legal rights which may vary by state or province.

**RECORD OF OWNERSHIP**

Upon receipt of new vehicle by original owner, complete the following:

I have read this Warranty Brochure and fully understand the warranty coverage. I acknowledge that I have received a copy of the Owner's Limited Warranty and I accept the terms described herein.

Customer Signature \_\_\_\_\_ Date \_\_\_\_\_

Owner's Address \_\_\_\_\_ City \_\_\_\_\_ State/Prov \_\_\_\_\_ Postal Code \_\_\_\_\_

Truck Model \_\_\_\_\_ Vehicle Identification Number \_\_\_\_\_

Engine Number \_\_\_\_\_ Engine Serial Number \_\_\_\_\_

Date Delivered to User (DTU) \_\_\_\_\_ Odometer Reading at Delivery \_\_\_\_\_

**IMPORTANT:** The information contained in this Warranty Policy explains the coverage provided on your new International vehicle. This policy should be kept in the vehicle for presentation to the Dealer when you request warranty services.



**CONTRACT PRICING WORKSHEET**  
For MOTOR VEHICLES Only

Contract No.:

HT06-14

Date Prepared:

8/15/2014

**This Worksheet is prepared by Contractor and given to End User. If a PO is issued, both documents MUST be faxed to H-GAC @ 713-993-4548 and to Contractor.**

Buying Agency:	Webb County TX	Contractor:	Santex Truck Centers, Ltd.
Contact Person:	Tomas Sanchez	Prepared By:	Rick DeNolf
Phone:	(956) 523-5586	Phone:	(210) 477-2514 - (800) 373-8370
Fax:		Fax:	(210) 661-0226
Email:	tomsanchez@webbcountytx.gov	Email:	rdenolf@santextrucks.com

Product Code:	G26	Description:	2015 International ProStar + 122 6x4
---------------	-----	--------------	--------------------------------------

**A. Product Item Base Unit Price Per Contractor's H-GAC Contract:** 89111

**B. Published Options - Itemize below - Attach additional sheet(s) if necessary - Include Option Code in description if applicable.**  
(Note: Published Options are options which were submitted and priced in Contractor's bid.)

Description	Cost	Description	Cost
1WKK Wheelbase Range	786	07372128107 Goodyear 14 ply Front Tires	350
2AUH 13.2k Front Axle	245	40LEV 60 mo / 200 k Miles Extended Engine Warranty	5280
3ADD 14k Front Suspension	312		
4AAB 2 Additional Rear Brake Chambers	220		
7SDK Jacobs Engine Brake	2158		
8RMD Radio	368		
10HYL Air Slide Fifth Wheel	2586		
11MGS Eaton Solo Clutch	306		
12BCZ 475 hp MaxxForce N13 Diesel Engine	1045		
13GNB Fuller 10 Spd Overdrive Transmission	1496		
15DWY Dual 80 gal Aluminum Fuel Tanks	839	<b>Subtotal From Additional Sheet(s):</b>	
16WJU Power Windows / Door Locks	344	<b>Subtotal B:</b>	16335

**C. Unpublished Options - Itemize below / attach additional sheet(s) if necessary.**  
(Note: Unpublished options are items which were not submitted and priced in Contractor's bid.)

Description	Cost	Description	Cost
Customer Required Published & Unpublished Options for Truck Tractor Application	12		
		<b>Subtotal From Additional Sheet(s):</b>	
		<b>Subtotal C:</b>	12

Check: Total cost of Unpublished Options (C) cannot exceed 25% of the total of the Base Unit Price plus Published Options (A+B). For this transaction the percentage is 0%

**D. Total Cost Before Any Applicable Trade-In / Other Allowances / Discounts (A+B+C)**

Quantity Ordered:	1	X Subtotal of A + B + C:	105458	=	Subtotal D:	105458
-------------------	---	--------------------------	--------	---	-------------	--------

**E. H-GAC Order Processing Charge (Amount Per Current Policy)** Subtotal E: 600

**F. Trade-Ins / Special Discounts / Other Allowances / Freight / Installation / Miscellaneous Charges**

Description	Cost	Description	Cost
		<b>Subtotal F:</b>	0

**Delivery Date:** **G. Total Purchase Price (D+E+F):** 106058