

Line	Qty	Part No	Description	Unit Price	Ext. Price
			Interior coated - Yes		
			Requires a 120" - 126" CT for proper tank installation		
3	1	CW-WS	On-Road Water- Water System 4x3 water pump Shaft Driven And all required plumbing and fittings		
4	1	On-Road Water W/Creek Fill	On-Road Water Creek Fill Suction, No primer pump		
5	1	On-Road Water Front Spray Bar	On-Road Water Front Spray (2) front spray valves and nozzles individually controlled Spray bar assembly, steel construction		
6	1	On-Road Water Side Spray	On-Road Water Side Spray (1) Spray valve and nozzle, individually controlled, driver side		
7	1	On-Road Water Rear Spray	On-Road Water Rear Spray (2) Spray valves and nozzles, individually controlled Spray bar assembly, steel construction		
8	1	On-Road Water Hose Reel	On-Road Water Hose Reel Manual rewind hose reel, 50' x 1-1/2" hose, Firemans nozzle end Mounted on rear bumper assembly		
9	1	CW-TP	On-Road Water Tank Parts Tie down hardware and misc parts		
10	1	On-Road Water Electrical	On-Road Water Electrical Incandescent lights (standard) FMVSS/DOT compliant Sealed wire harness		
11	1	CW-SK	On-Road Water Safftey Kit 5lb fire extinguisher Warning triangle set		
12	1	MD250-2.5FABN STXC50	2-1/2" x 50' Water Truck Hydrant Hose		
13	1	CW-SHK	3" Suction Hose Kit contains : (2) 3" x 10' MxF Cam & Groove (1) 3" x 10' Female Cam & Grove x 3" Suction Strainer		
14	1		3/4" & 1-1/2" ball valve, driver side front of tank		
15	1	RS-73B-720NCS	Curry Supply Back Up Camera - Installed		
16	1	PTO	PTO		
17	1	CW-INST-S	Standard on-road water system install, Install by Curry Supply		
18			SubTotal		\$25,910.00
19	1	CW4-FET	Federal Excise Tax (FET) for Curry Supply CS4000 water system	\$2,498.11	\$2,498.11
20			Running SubTotal		\$28,408.11

Your quote was prepared by: **James Hanson**

Line Qty	Part No	Description	Unit Price	Ext. Price
----------	---------	-------------	------------	------------

Customer Sign Off _____

Date _____

P.O. Number _____

SubTotal	\$28,408.11
Tax	\$0.00
Shipping	\$0.00
Total	\$28,408.11
Deposit Required	\$5,681.62

Minimum order quantity is 1000 units. Delivery is subject to availability. Lead time is 4-6 weeks. Payment terms are Net 30. All prices are in US dollars. All prices are subject to change without notice. All prices are in US dollars. All prices are subject to change without notice.

Any amount not paid within thirty (30) days of billing is subject to a 1.5% monthly interest charge.

If an invoice is not paid in full by the due date, the customer shall be liable for a cancellation fee per unit supply standard's cancellation policy. Customer agrees to pay any cancellation fee within ten (10) days of the cancellation notice to every supply.

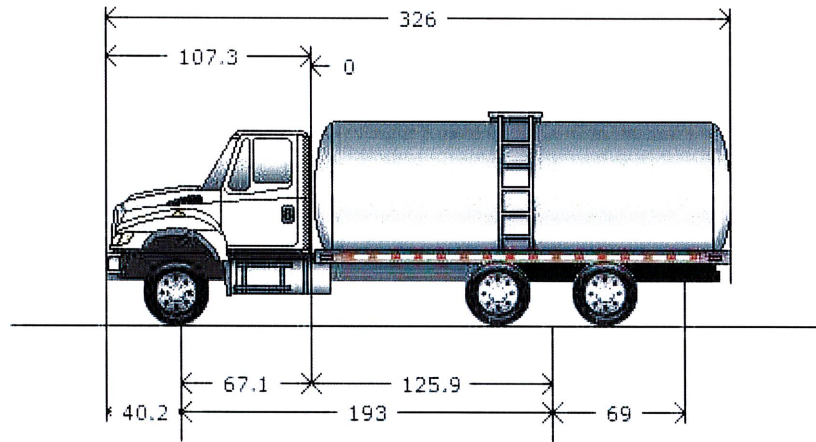
Your quote was prepared by: **James Hanson**

Page 1 of 3

Prepared For:
 Webb County
 Cesar Guerra
 1110 Washington St Ste 101
 Laredo TX 78040-4466
 (956)523 - 4000
 Reference ID MH401338

Presented By:
 TX TRK CNTRS OF HOUS LTD
 Carlos Weeber
 8900 NORTH LOOP EAST
 HOUSTON TX 77029 -
 (713)674-3444

Thank you for the opportunity to provide you with the following quotation on a new International truck. I am sure the following detailed specification will meet your operational requirements and I look forward to serving your business needs.



Model Profile
 2022 HV607 SBA (HV607)

AXLE CONFIG: 6X4
APPLICATION: Water Truck
MISSION: Requested GVWR 58000 Calc. GVWR 60000
 Calc. Start / Grade Ability 17.55% / 1.25% @ 55 MPH
 Calc. Geared Speed 78.2 MPH
DIMENSION: Wheelbase 193.00, CA 125.90, Axle to Frame 69.00
ENGINE, DIESEL: {Cummins L9 300} EPA 2021, 300HP @ 2200 RPM, 860 lb-ft Torque @ 1200 RPM, 2200 RPM Governed Speed, 300 Peak HP (Max)
TRANSMISSION, AUTOMATIC: {Allison 3000 RDS} 5th Generation Controls, Close Ratio, 6-Speed with Double Overdrive, with PTO Provision, Less Retarder, Includes Oil Level Sensor, with 80,000-lb GVW and GCW Max, On/Off Highway
CLUTCH: Omit Item (Clutch & Control)
AXLE, FRONT NON-DRIVING: {Meritor MFS-20-133A} Wide Track, I-Beam Type, 20,000-lb Capacity
AXLE, REAR, TANDEM: {Meritor MT-40-14X-4DFR} Single Reduction, 40,000-lb Capacity, 4.33"(11mm) Wall Housing Thickness, R Wheel Ends Gear Ratio 5.29
CAB: Conventional, Day Cab
TIRE, FRONT: (2) 315/80R22.5 Load Range L HSC 3 (CONTINENTAL), 481 rev/mile, 68 MPH, All-Position
TIRE, REAR: (8) 11R22.5 Load Range G HDR2+ (CONTINENTAL), 491 rev/mile, 75 MPH, Drive
SUSPENSION, REAR, AIR, TANDEM: {Hendrickson HAS-402-55} 40,000-lb Capacity, 55" Axle Spacing, 9.5" Ride Height, with Shock Absorbers, Mounted Inboard
PAINT: Cab schematic 100WL
 Location 1 9219 Winter White (Std)
 Chassis schematic N/A

Code	Description
HV60700	Base Chassis Model HV607 SBA with 193.00 Wheelbase, 125.90 CA, and 69.00 Axle to Frame.
1570	TOW HOOK FRONT (2) Frame Mounted
1AND	AXLE CONFIGURATION {Navistar} 6x4
	Notes Pricing may change if axle configuration is changed.
1CAJ	FRAME RAILS Heat Treated Alloy Steel (120,000 PSI Yield), 10.866" x 3.622" x 0.437" (276.0mm x 92.0mm x 11.1mm), 456.0" (11582mm) Maximum OAL
1LLA	BUMPER FRONT Swept Back Steel, Heavy Duty
1MFJ	FRAME, SPECIAL EFFECTS Dimple on Left and Right Top Flange of Frame Rail to Reference Rear Axle Centerline
1WGX	WHEELBASE RANGE 169" (430cm) Through and Including 219" (555cm)
2ARY	AXLE FRONT NON-DRIVING {Mentor MFS-20-133A} Wide Track, I-Beam Type, 20,000-lb Capacity
3ACS	SUSPENSION, FRONT, SPRING Multileaf, Shackle Type, 20,000-lb Capacity, Less Shock Absorbers
4091	BRAKE SYSTEM, AIR Dual System for Straight Truck Applications
	Includes BRAKE LINES Color and Size Coded Nylon DRAIN VALVE Twist-Type GAUGE, AIR PRESSURE (2) Air 1 and Air 2 Gauges, Located in Instrument Cluster PARKING BRAKE CONTROL Yellow Knob, Located on Instrument Panel PARKING BRAKE VALVE For Truck QUICK RELEASE VALVE On Rear Axle for Spring Brake Release 1 for 4x2 2 for 6x4 SPRING BRAKE MODULATOR VALVE R-7 for 4x2, SR-7 with relay valve for 6x4/8x6
4732	DRAIN VALVE {Berg} with Pull Chain for Air Tank
4AZA	AIR BRAKE ABS {Bendix AntiLock Brake System} 4-Channel (4 Sensor/4 Modulator) Full Vehicle Wheel Control System
4EBS	AIR DRYER {Bendix AD-9} with Heater
4EXU	BRAKE CHAMBERS, REAR AXLE {Bendix EverSure} 30/30 Sqli Spring Brake
4EXV	BRAKE CHAMBERS, FRONT AXLE {Bendix} 24 Sqli
4LAG	SLACK ADJUSTERS FRONT {Gunitite} Automatic
4LGG	SLACK ADJUSTERS REAR {Gunitite} Automatic
4SPA	AIR COMPRESSOR {Cummins} 18.7 CFM
4VKC	AIR DRYER LOCATION Mounted Inside Left Rail, Back of Cab
4VKK	AIR TANK LOCATION (2) Mounted Under Battery Box, Outside Right Rail, Back of Cab, Perpendicular to Rail
4V BX	DUST SHIELDS, FRONT BRAKE for Air Cam Brakes
4WDM	DUST SHIELDS, REAR BRAKE for Air Cam Brakes
4XDI	BRAKES, FRONT {Bendix Spicer ES-165-6X} Air S-Cam Type, Heavy Duty Fabricated Spider, Fabricated Shoe, Single Anchor Pin, Size 16.5" X 6", 23,000-lb Capacity
4XDN	BRAKES, REAR {Bendix Spicer ES-165-8X} Air S-Cam Type, Heavy Duty Fabricated Spider, Fabricated Shoe, Single Anchor Pin, Size 16.5" X 8.625", 23,000-lb Capacity per Axle
4XEE	PARK BRAKE CHAMBERS ADDITIONAL (2) Spring Brake Type

Code	Description
5708	STEERING COLUMN Tilting
5CAW	STEERING WHEEL 4-Spoke 18" Dia., Black
5PTB	STEERING GEAR (2) {Sheppard M100/M80} Dual Power
6DGS	DRIVELINE SYSTEM {Dana Spicer} SPL140 Main Driveline with SPL170 Interaxle Shaft for 6x4
7BEV	AFTERTREATMENT COVER Steel, Black
7BLW	EXHAUST SYSTEM Horizontal Aftertreatment System, Frame Mounted Right Side Under Cab for Single Vertical Tail Pipe, Frame Mounted Right Side Back of Cab
7WDM	EXHAUST HEIGHT 10'
7WDN	MUFFLER/TAIL PIPE GUARD (1) Aluminum
7WDT	TAIL PIPE (1) Straight Type
8000	ELECTRICAL SYSTEM 12-Volt, Standard Equipment Includes DATA LINK CONNECTOR For Vehicle Programming and Diagnostics In Cab HAZARD SWITCH Push On/Push Off, Located on Instrument Panel to Right of Steering Wheel HEADLIGHT DIMMER SWITCH Integral with Turn Signal Lever PARKING LIGHT Integral with Front Turn Signal and Rear Tail Light STARTER SWITCH Electric, Key Operated STOP, TURN, TAIL & B/U LIGHTS Dual, Rear, Combination with Reflector TURN SIGNAL SWITCH Self-Cancelling for Trucks, Manual Cancelling for Tractors, with Lane Change Feature WINDSHIELD WIPER SWITCH 2-Speed with Wash and Intermittent Feature (5 Pre-Set Delays), Integral with Turn Signal Lever WINDSHIELD WIPERS Single Motor, Electric, Cowl Mounted WIRING, CHASSIS Color Coded and Continuously Numbered
8541	HORN, ELECTRIC (2) Disc Style
8GXD	ALTERNATOR {Leece-Neville AVI160P2013} Brush Type, 12 Volt, 160 Amp Capacity, Pad Mount, with Remote Sense
8MSG	BATTERY SYSTEM {Fleetrite} Maintenance-Free, (3) 12-Volt 1980CCA Total, Top Threaded Stud
8RMV	SPEAKERS (2) 6.5" Dual Cone Mounted in Doors
8RPT	RADIO AM/FM/WB/Clock/USB Input/Auxiliary Input
8THB	BACK-UP ALARM Electric, 102 dBA
8VUJ	BATTERY BOX Steel, with Plastic Cover, 18" Wide, 2-4 Battery Capacity, Mounted Right Side Back of Cab
8WPH	CLEARANCE/MARKER LIGHTS (5) {Truck Lite} Amber LED Lights, Flush Mounted on Cab or Sunshade
8VWJ	INDICATOR, LOW COOLANT LEVEL, with Audible Alarm
8VXC	STARTING MOTOR {Mitsubishi Electric Automotive America 105P} 12-Volt, with Soft-Start
8XAH	CIRCUIT BREAKERS Manual-Reset (Main Panel) SAE Type III with Trip Indicators, Replaces All Fuses
8XGI	TURN SIGNALS, FRONT Includes LED Side Turn Lights Mounted on Fender
8XHD	BATTERY DISCONNECT SWITCH 300 Amp, Disconnects Charging Circuits, Locks with Padlock, Cab Mounted
9AAB	LOGOS EXTERIOR Model Badges
9AAE	LOGOS EXTERIOR ENGINE Badges

<u>Code</u>	<u>Description</u>
9HBM	GRILLE Stationary, Chrome
9WAC	BUG SCREEN Mounted Behind Grille
9WBC	FRONT END Tilting, Fiberglass, with Three Piece Construction, for WorkStar/HV
10060	PAINT SCHEMATIC, PT-1 Single Color Design 100 Includes PAINT SCHEMATIC ID LETTERS "WL"
10761	PAINT TYPE Base Coat/Clear Coat, 1-2 Tone
10WCY	SAFETY TRIANGLES
11001	CLUTCH Omit Item (Clutch & Control)
12703	ANTI-FREEZE Red, Extended Life Coolant; To -40 Degrees F/ -40 Degrees C, Freeze Protection
12ESL	ENGINE, DIESEL {Cummins L9 300} EPA 2021, 300HP @ 2200 RPM, 860 lb-ft Torque @ 1200 RPM, 2200 RPM Governed Speed, 300 Peak HP (Max)
12THT	FAN DRIVE {Horton Drivemaster} Two-Speed Type, Direct Drive, with Residual Torque Device for Disengaged Fan Speed Includes FAN Nylon
12UWZ	RADIATOR Aluminum, Cross Flow, Front to Back System, 1228 SqIn, with 1167 SqIn Charge Air Cooler Includes In-Tank Oil Cooler Includes DEAERATION SYSTEM with Surge Tank HOSE CLAMPS, RADIATOR HOSES Gates Shrink Band Type, Thermoplastic Coolant Hose Clamps RADIATOR HOSES Premium, Rubber
12VBB	AIR CLEANER Dual Element
12VHR	FEDERAL EMISSIONS {Cummins L9} EPA, OBD and GHG Certified for Calendar Year 2021
12VXT	THROTTLE, HAND CONTROL Engine Speed Control, Electronic, Stationary, Variable Speed, Mounted on Steering Wheel
12WZE	EMISSION COMPLIANCE Federal, Does Not Comply with California Clean Air Idle Regulations
12XBM	ENGINE CONTROL, REMOTE MOUNTED Provision for, Includes Wiring for Body Builder Installation of PTO Controls and Starter Lockout, with Ignition Switch Control, for Cummins B6 7 and L9 Engines
13AVR	TRANSMISSION, AUTOMATIC {Allison 3000 RDS} 5th Generation Controls, Close Ratio, 6-Speed with Double Overdrive, with PTO Provision, Less Retarder, Includes Oil Level Sensor, with 80 000-lb GVW and GCW Max, On/Off Highway
13WEH	AUTOMATIC NEUTRAL Allison Transmission Shifts to Neutral When Parking Brake is Engaged and Remains in Neutral When Parking Brake is Disengaged, without On/Off Switch
13WET	TRANSMISSION SHIFT CONTROL Column Mounted Stalk Shifter, Not for Use with Allison 1000 & 2000 Series Transmission
13WLP	TRANSMISSION OIL Synthetic, 29 thru 42 Pints
13WUS	ALLISON SPARE INPUT/OUTPUT for Rugged Duty Series (RDS) and Regional Haul Series (RHS), General Purpose Trucks, Package Number 223, Modified for Single Input Auto Neutral
13WWV	NEUTRAL AT STOP OMIT
13WYU	SHIFT CONTROL PARAMETERS {Allison} 3000 or 4000 Series Transmissions, Performance Programming

Code	Description
13XAL	PTO LOCATION Customer Intends to Install PTO at Left Side of Transmission
14GVY	AXLE, REAR, TANDEM {Meritor MT-40-14X-4DFR} Single Reduction, 40,000-lb Capacity, 4.33"(11mm) Wall Housing Thickness, R Wheel Ends Gear Ratio 5.29
14ULU	SUSPENSION, REAR, AIR, TANDEM {Hendrickson HAS-402-55} 40,000-lb Capacity, 55" Axle Spacing, 9.5" Ride Height, with Shock Absorbers, Mounted Inboard
15LNS	FUEL/WATER SEPARATOR {Racor 400 Series} 12 VDC Electric Heater, Includes Pre-Heater, with Primer Pump Includes Water-in-Fuel Sensor, Mounted on Engine
15SGD	FUEL TANK Top Draw, Non-Polished Aluminum, D-Style, 19" Tank Depth, 100 US Gal (379L), Mounted Left Side Under Cab
15WDC	DEF TANK 7 US Gal (26L) Capacity, Frame Mounted Outside Left Rail, Under Cab
16030	CAB Conventional, Day Cab
16BAM	AIR CONDITIONER with Integral Heater and Defroster
16GDC	GAUGE CLUSTER Base Level, English with English Speedometer and Tachometer for Air Brake Chassis, Includes Engine Coolant Temperature, Primary and Secondary Air Pressure, Fuel and DEF Gauges, Oil Pressure Gauge, Includes 3 Inch Monochromatic Text Display
16HKT	IP CLUSTER DISPLAY On Board Diagnostics Display of Fault Codes in Gauge Cluster
16LJS	SEAT, DRIVER {National 2000} Air Suspension, High Back with Integral Headrest, Vinyl Isolator, 1 Chamber Lumbar, 2 Position Front Cushion Adjustment, -3 to +14 Degree Seat Back Angle Adjust, Dual Shocks
16SJX	MIRROR, CONVEX, HOOD MOUNTED {Lang Mekra} (2) Right and Left Sides, Bright, Heated, 7.5" Sq.
16SMN	SEAT, PASSENGER {National} Non Suspension, High Back, Fixed Back, Integral Headrest, Vinyl
16SNU	MIRRORS (2) Aero Pedestal, Power Adjust, Heated, Bright Heads, Black Arms, 6.5" x 14" Flat Glass, Includes 6.5" x 6" Convex Mirrors, for 102" Load Width
	Notes
	· Mirror Dimensions are Rounded to the Nearest 0.5"
16VKB	CAB INTERIOR TRIM Classic, for Day Cab
	Includes
	· CONSOLE OVERHEAD Molded Plastic with Dual Storage Pockets, Retainer Nets and CB Radio Pocket Located Above Driver and Passenger
	· DOME LIGHT, CAB Door Activated and Push On-Off at Light Lens, Timed Theater Dimming, Integral to Overhead Console, Center Mounted
	· SUN VISOR (2) Padded Vinyl, 2 Moveable (Front-to-Side) Primary Visors, Driver Side with Toll Ticket Strap
16WBY	ARM REST, RIGHT, DRIVER SEAT
16WJU	WINDOW, POWER (2) and Power Door Locks, Left and Right Doors, Includes Express Down Feature
16WSK	CAB REAR SUSPENSION Air Bag Type
16XJN	INSTRUMENT PANEL Flat Panel
16ZBT	ACCESS, CAB Steel, Driver & Passenger Sides, Two Steps per Door, for use with Day Cab and Extended Cab
27DUL	WHEELS, FRONT {Accuride 29300} DISC, 22.5x9.00 Rims, Powder Coat Steel, 5-Hand Hole, 10-Stud, 285.75mm BC, Hub-Piloted, Flanged Nut, with Steel Hubs
28DUK	WHEELS, REAR {Accuride 29169} DUAL DISC, 22.5x8.25 Rims, Powder Coat Steel, 5-Hand Hole, 10-Stud, 285.75mm BC, Hub-Piloted, Flanged Nut, with 4.72" Thick Increased Capacity Disc and Steel Hubs

Code	Description
60AKG	BDY INTG PTO ACCOMMODATION for (3) Latched Rocker Switches (1) PTO Switch (2) Generic Switches to Control (3) 30 amp relays, with Programmable Interlocks, for Body Builder Hook up in the Engine Compartment Left Side Recommended for Automatic Transmissions
7372135444	(8) TIRE REAR 11R22.5 Load Range G HDR2+ (CONTINENTAL), 491 rev/mile, 75 MPH Drive
7792545438	(2) TIRE FRONT 315/80R22.5 Load Range L HSC 3 (CONTINENTAL), 481 rev/mile 68 MPH All-Position
Services Section:	
40128	WARRANTY Standard for HV507, HV50B, HV607 Models Effective with Vehicles Built July 1, 2017 or Later CTS-2025A
1	Curry 4 000 gallon water spray truck, per Curry quote #020Q22286

Description	(US DOLLAR)	Price
Factory List Prices		
Product Items	\$142,147.00	
Service Items	\$0.00	
Total Factory List Price Including Options		\$142,147.00
Fire Extinguisher	\$50.68	
Total Preparation And Delivery		\$50.68
Freight	\$2,350.00	
Transport from Houston to Laredo	\$850.00	
Total Freight		\$3,200.00
Total Factory List Price Including Freight		\$145,397.68
Less Customer Allowance		(\$59,776.68)
Total Vehicle Price		\$85,621.00
Total Body/Allied Equipment		\$25,910.00
Total Sale Price		\$111,531.00
Total Per Vehicle Sales Price		\$111,531.00
Total For 2 Vehicle Sales		\$223,062.00
Net Sales Price		\$223,062.00

Please feel free to contact me regarding these specifications should your interests or needs change. I am confident you will be pleased with the quality and service of an International vehicle.

Approved by Seller:

Accepted by Purchaser:

Official Title and Date

Firm or Business Name

Authorized Signature

Authorized Signature and Date

This proposal is not binding upon the seller without Seller's Authorized Signature

Official Title and Date

The TOPS FET calculation is an estimate for reference purposes only. The seller or retailer is responsible for calculating and reporting/paying appropriate FET to the IRS.

The limited warranties applicable to the vehicles described herein are Navistar, Inc.'s standard printed warranties which are incorporated herein by reference and to which you have been provided a copy and hereby agree to their terms and conditions.