

Friday, September 17, 2021



Creative Bus Sales

# State of Oklahoma Contract

**SW0797C**

**FY 2021**

Preparer: Jeffrey E. Johnson

**Base Model**  
2021 Lone Star Promaster 3500 3.6L V6 9,350 GVWR

**Base Model Price:** \$ 87,068.00

**Contract Published Options:** \$ 10,985.00

**Creative Bus Sales Credit:** \$ (1,000.00)

**Unpublished Options and Upgrades:** \$ 8,025.00



Vehicle Length	Lift Position	WC Positions	Total # Passengers	CDL Required
252"	Front Ramp	2	9	No

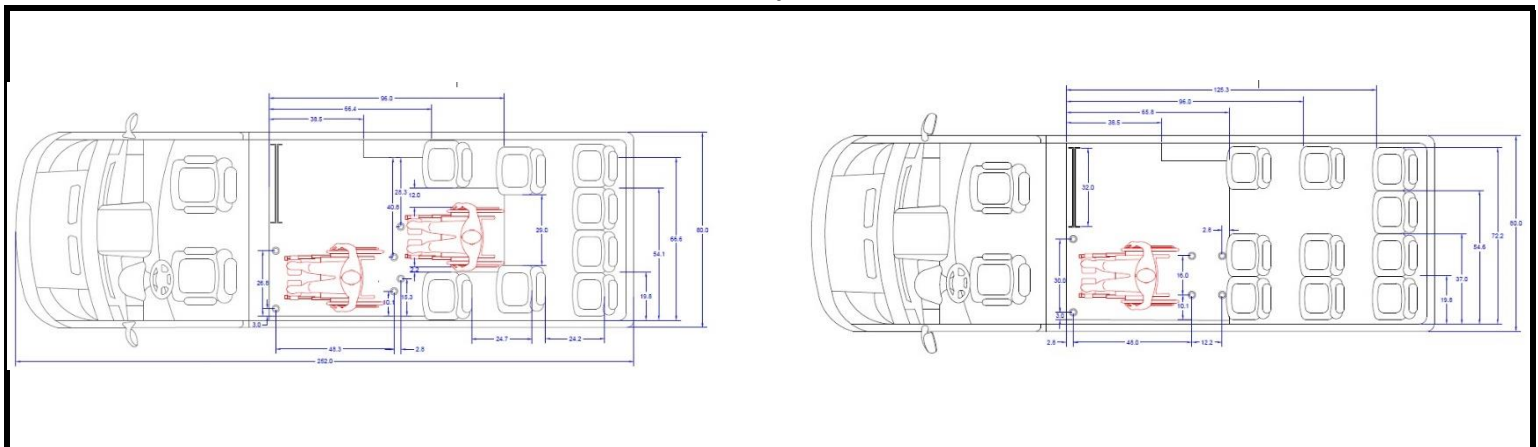
QTY Vehicles:  Total Contract Price:

**Per Vehicle Price:** \$ 105,078.00

**Customer Info**

<b>Customer:</b>	Webb County
<b>Address:</b>	4801 Daugherty Avenue, Laredo, TX 78041
<b>Contact:</b>	Robert Martinez
<b>Office Phone:</b>	956-722-6100
<b>Mobile Phone:</b>	956-237-9802
<b>E-Mail:</b>	<a href="mailto:romartinez@webbcountytx.gov">romartinez@webbcountytx.gov</a>

**Floorplan**





## **Chassis**

Ram Promaster 3500 High Roof chassis - 9,350 GVWR, 159" WB EXT  
3.6L V6 24V VVT gasoline engine  
6-Speed Automatic 62TE Transmission  
220-amp alternator  
Power-assisted hydraulic front & rear disc brakes  
4-wheel anti-lock brake system  
22-gallon OEM fuel tank  
16"x6" aluminum wheels  
Cruise control  
Cloth driver and co-pilot seats  
Driver/Co-pilot sun visor  
Power windows  
Power door locks  
Power-heated mirrors  
OEM chassis dash heater, A/C, and defroster  
Bright white clear coat

## **Body**

Lowered floor behind driver/co-pilot for ADA access  
Driver side step  
Electric passenger entry door (A&M Systems)  
3-pt passenger seat belts  
ABS interior paneling - walls and ceiling  
Altro flooring

## **ADA**

Manual swing away ramp providing 32" usable width  
One (1) set of Q'Straint retractable wheelchair securement systems  
ADA interlock  
ADA-compliant ramp and door entrance lighting

## **Safety**

5 lb. fire extinguisher  
First aid kit  
Emergency triangle kit  
Backup alarm  
Emergency window



OPTIONS

Type O - Front Ramp Full Size Conversion Van

Qty	Description	FY 2020 List Price	QTY Total
1	Body Stripe	\$ 850.00	\$ 850.00
1	Bus Camera System	\$ 3,450.00	\$ 3,450.00
1	Rear Mounted A/C Evaporator	\$ 5,500.00	\$ 5,500.00
1	Additional Wheelchair Securement Position (includes Q'Straint Q'UBE system)	\$ 1,185.00	\$ 1,185.00
-		<b>Subtotal Manufacturer Options:</b>	<b>\$ 10,985.00</b>



**CBS UNPUBLISHED OPTIONS** Type O - Front Ramp Full Size Conversion Van

Qty	Description	
1	Audio Package	
1	Outside Passenger Door Switch	
1	Graphics Upgrade	
1	Camera System Upgrade	
-	<b>Subtotal CBS Unpublished Options:</b>	\$ 8,025.00