



PROPOSAL

Webb County Purchasing Department

QUOTE NUMBER: 00943337

THE ULTIMATE AIRFLOW SOLUTION

For more than 20 years, Big Ass Fans has set the standard for safer, more comfortable work conditions with airflow products purpose-built to excel in demanding environments. Our fans provide year-round relief from extreme temperatures, making people feel up to 10 °F (6 °C) cooler in summer and effectively circulating heated air in winter.

Engineered for efficient, maintenance-free operation and backed by unbeatable warranties, Big Ass fans deliver powerful airflow that keeps workers refreshed and productive. With a custom solution from Big Ass Fans, your business will reap the rewards of comfort and cost-savings for years.

Contact: **Wilson Martin**

Email: wilson.martin@bigassfans.com

Phone:

00943337

Quote Information

| | | | |
|--------------|-----------------------------------|-----------------|-----------------------------------|
| Quote Number | 00943337 | Created Date | 2/8/2024 |
| | | Expiration Date | 3/8/2024 |
| Bill To Name | Webb County Purchasing Department | Ship To Name | Webb County Purchasing Department |
| Bill To: | 1110 Washington Street | Ship To: | US-59 |
| | Laredo, TX 78040 | | Laredo, TX 78043 |
| | US | | US |
| SFDC ID | 11045749 | | |

General Information

| | | | |
|-----------|------------------------------|---------------|-------------|
| Sales Rep | Wilson Martin | Contact Name | Sylvia Diaz |
| E-mail | wilson.martin@bigassfans.com | Contact Phone | 9565234128 |
| Phone | | | |
| Fax | 859-233-0139 | | |

Comments

Comments

Sales Tax

Sales Tax is strictly an estimate and may change based on the shipping address of the order; sales tax is also subject to the tax provisions of the "STANDARD TERMS."

| Product | Description | Qty | Total Price |
|--|--|-----|---------------------------------|
| Evaporative Cooler, Cool-Space 400, 36", 120V/1Ph, 60Hz, All Terrain Package | MSRP:\$38,392 - BuyBoard #720-23 - Customer will provide valid TEC upon purchase | 8 | \$31,992.00 |
| | | | Subtotal: \$31,992.00 |
| | | | Tax: \$ 0.00 |
| | | | Estimated Shipping: \$1,600.00 |
| | | | Grand Total: \$33,592.00 |



STANDARD TERMS - NET 30 DAYS UPON APPROVAL

Shipping and handling is an estimate.

Our proposals include an estimate of applicable itemized sales taxes which Big Ass Fans is legally obligated to collect and remit. The final, actual amount of such taxes would only be known at the time the customer is actually invoiced for the order.

All products are subject to Big Ass Fans return policy. For full details visit bigassfans.com/returns

The Buyer must insure that product specifications are consistent with actual field installation requirements. Big Ass Fans product recommendations are based on product specifications as transmitted to the company. As such, Big Ass Fans is not responsible for inaccuracies between the communicated product specifications and actual field installation requirements. The Buyer of the specified products assumes responsibility for the cost of returning or exchanging specified product where specified product does not meet field requirements.

Any variations to product types or quantities (or omissions of existing light fixtures during the survey process – and now not represented in project) will be considered “add-on” and an additional material requirement. These add-on materials will be priced separately.

Big Ass Fans customers who have been approved for term credit and are invoiced for their orders may pay their invoice through one of our customary term credit payment methods of: Check, money order, wire transfer or ACH payment. Any such term credit approved customers who subsequently elect to pay their term invoice by credit card will also be charged a convenience fee for doing so. The exact amount of the convenience fee will be communicated to the customer before the transaction is processed and the card is charged. The Fee is calculated by multiplying the amount sought to be charged to the credit card by .03. (Fee = .03 x Total Amount Paid). If the customer elects not to pay the convenience fee, the customer may use one of the other payment channels alluded to above, free of charge.

Customer is responsible for paying all applicable state and local transactional taxes resulting from the sale. As a manufacturer of tangible personal property registered to do business in all 50 US States, Big Ass Fans is obligated to collect and remit applicable sales taxes and the transaction will be treated and reported as the sale of tangible personal property sold by a manufacturer.

To the extent that the Buyer takes any contrary position with any taxing authority subsequent to this transaction which results in additional and/or different transaction-based taxes for which Big Ass Fans is responsible, Big Ass Fans reserves the right to apply any sales tax collected to any such additional taxes due and/or invoice the Buyer for any other additional amounts due. Additionally, to the extent that applicable transactional taxes were not collected at the time of sale in reliance upon an Exemption Certificate or other exemption later found to be inapplicable by Big Ass Fans, in the exercise of its sole and absolute discretion, Big Ass Fans will invoice Buyer for any applicable sales or other transactional taxes.

Buyer covenants and agrees to promptly pay any such amounts to Big Ass Fans on the same terms and conditions as any other amounts owed to Big Ass Fans on the applicable Order.

The transaction and contract that is the subject of this Proposal shall be governed by the internal laws of the Commonwealth of Kentucky. Any controversy or claim arising out of or relating to this contract, or the breach thereof, shall be settled by arbitration administered by the American Arbitration Association in accordance with its Commercial Arbitration Rules, and judgment on the award rendered by the arbitrator(s) may be entered in any court having jurisdiction thereof.

Upon sales agreement being signed and submitted, order shipment date changes may not be submitted or changed by the purchasing party within 10 business days of scheduled shipment. Scheduled shipment dates may not be changed within the final 10 business days of a given month. Should a customer require that a shipment date be changed within 10 business days of scheduled shipment or within the final 10 business days of a given month, Big Ass Fans reserves the right to decline the customer's request. Secondly, Big Ass Fans reserves the right to charge a monetary fee for any shipment date change request that falls within the representative windows described above. Reconsignment fees are as follows: \$50 for small diameter fan orders and \$500 for large overhead orders.

Evaporative Cooler (Cool-Space) orders are not able to be canceled outside of the same business day in which purchase has been confirmed. Customer assumes responsibility for all necessary reconsignment fees related to shipping &/or freight charges as a result of canceled orders completed outside of the hours of 8:00AM to 5:00PM EST on the same business day purchase occurs.

This Proposal and its Associated Terms may not be modified or added to, except by a subsequent writing executed by Big Ass Fans.

PURCHASING OR USING ANY OF OUR PRODUCTS & SERVICES INDICATES YOU AGREE WITH OUR [TERMS OF SERVICE](#) AND [PRIVACY POLICY](#). (FOR FULL WARRANTY, TERMS, AND CONDITIONS FOR ALL BIG ASS PRODUCTS, VISIT BIGASSFANS.COM)

Notwithstanding any provision to the contrary, neither party shall be liable to the other party (or any third party) for indirect, consequential, special, incidental, or punitive damages arising from the sale of the products or this agreement. In addition, seller's total aggregate liability under this agreement shall never exceed the value of the purchase order or the previous twelve (12) months of sales hereunder, whichever is less. This provision shall survive the expiration of termination of this agreement.

INTELLECTUAL PROPERTY

Big Ass Fans retains exclusive ownership of all intellectual property rights embodied by and/or associated with the products sold.



CUSTOMER CONTACT INFORMATION

PLEASE CONFIRM AND COMPLETE ALL BILLING AND SHIPPING INFORMATION FOR YOUR ORDER.

ACCOUNTS PAYABLE (BILLING) ADDRESS:

1110 Washington Street, Laredo, TX, 78040, US

IS THE BILLING ADDRESS ABOVE CORRECT? Y / N

If this address is incorrect, please provide correct information below:

Company Name: _____
Contact Name: _____
Billing Address: _____
City, State, Zip: _____
Email: _____
Phone: _____ DUNS #: _____

SHIPPING ADDRESS:

US-59, Laredo, TX, 78043, US

IS THE SHIPPING ADDRESS ABOVE CORRECT? Y / N

If this address is incorrect, please provide correct information below:

Company Name: _____
Contact Name: _____
Shipping Address: _____
City, State, Zip: _____
Email: _____
Phone: _____

If your organization requires a purchase order, please provide the PO number here: _____
Please provide any available PO documentation to your BAF sales representative.

If this purchase is tax exempt (e.g., 501(c)(3), 509(a), Section 527, registered resellers), you must provide a valid tax exemption certificate to your BAF sales representative.

CLIENT

Signature

Printed Name Date

BIG ASS FANS

Signature

Printed Name Date



COOL-SPACE® 400

Complex facilities with changing layouts can be nearly impossible to cool. With an improved motor and updated blade design, Cool-Space® 400 delivers portable, powerful heat relief to facilities, warehouses, and outdoor spaces. Featuring a coverage area of 3,600 square feet and GREENGUARD Gold-certified cooling media, Cool-Space 400 brings rapid, reliable cooling comfort without compromise.



KEY FEATURES

- ▶ Quickly cool indoor and outdoor spaces by up to 33° F (18° C)
- ▶ A re-designed motor and new aerodynamic fan blades deliver more efficient
- ▶ Ideal for large factories, warehouses, and fitness centers
- ▶ Available push/pull bar kit for additional ergonomic portability
- ▶ 46-gallon (174-liter) reservoir lasts up to 10 hours without hose connection
- ▶ 36-inch (91-centimeter) fan diameter
- ▶ Optional All-Terrain version includes off-road tires and push/pull bar

COVERAGE AREA

UP TO 3,600 SQUARE FEET
(334 SQUARE METERS)

AIRFLOW

UP TO 10,000 CFM

CONTROL

VARIABLE SPEED

VOLTAGE

**110 VAC
OR
230 VAC**



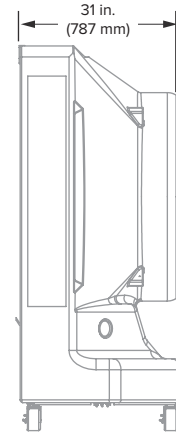
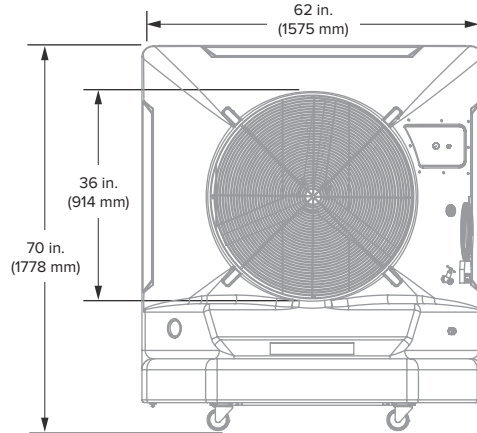
**COMFORT WITHOUT
COMPROMISE**

**DISCOVER MORE
ABOUT COOL-SPACE**

Learn more at bigassfans.com/evaporative-coolers/cool-space-400/ or call **877.BIG.FANS** for a free custom quote.

COOL-SPACE® 400

DELIVER COOLER CONDITIONS AT A MOMENT'S NOTICE



Technical Specifications

| Model | Ordering Information | Input power and required breaker | Amperage ¹ | Drive | Motor | Weight | Water Capacity | Inlet Water Supply Pressure | Environment ² | Airflow and Coverage | Sound Level ³ | Operating Temperature |
|----------------|--------------------------|---|-----------------------|----------------|------------------|------------------|----------------|-----------------------------|---|---------------------------------|--------------------------|----------------------------|
| Cool-Space 400 | E-400-3601 E-400-3602 | 120 VAC, 60 Hz, 1Φ, 15 A 220/230 VAC, 50/60 Hz, 1Φ, 10 A | 8.75 A 5.52 A | Variable Speed | 0.67 hp (0.5 kW) | 220 lb (99.8 kg) | 46 gal (174 L) | 120 PSI Max | Well-ventilated indoor or outdoor space | Up to 10,000 cfm 3,600 sq ft | 61 dBA | 0 to 104 °F (-18 to 40 °C) |

Construction

| Housing | Motor | Power Supply | Water Supply | Cooling Media | Maintenance |
|--|-----------------------------------|--|--|--|--|
| UV-resistant roto-molded polyethylene housing Four swivel casters (two locking) | High-efficiency, totally enclosed | 10 ft (3 m) power cord plugs into standard electrical outlet Cord wrap for easy storage | Accepts standard garden hose or portable supply tank Water level regulated by float valve Low-water shutoff for pump longevity | Made from thick cross-corrugated, angle-fluted formulated cellulose Treated with thermosetting resin for strength and prevention of algae | Accessible reservoir cap for convenient water treatment access Drain plug and flush valve for water removal |



Onboard Variable Speed Control

¹ Maximum amperage includes both the fan and pump ratings.

² Not suitable for salt air environments.

³ Fans are sound tested in a laboratory environment. Actual results in field conditions may vary due to sound reflecting surfaces and environmental conditions.

Lead times may vary. See full warranty for coverage information.



USA
BIGASSFANS.COM
877-244-3267

CANADA
BIGASSFANS.COM
844-924-4277

AUSTRALIA
BIGASSFANS.COM/AU
1300 244 277

SINGAPORE
BIGASSFANS.COM/SG
65 6709 8500