

2" Overhead Loading Water Station

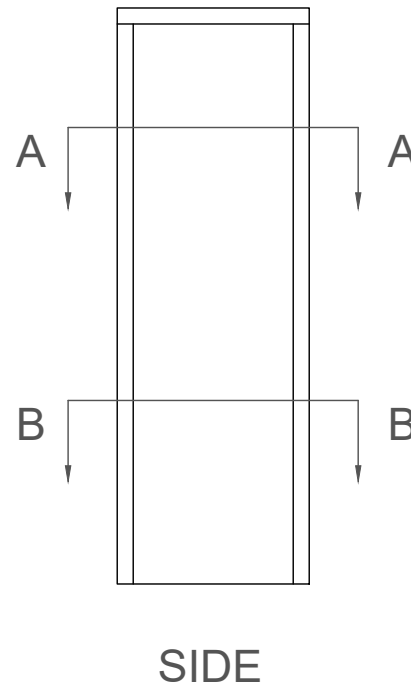
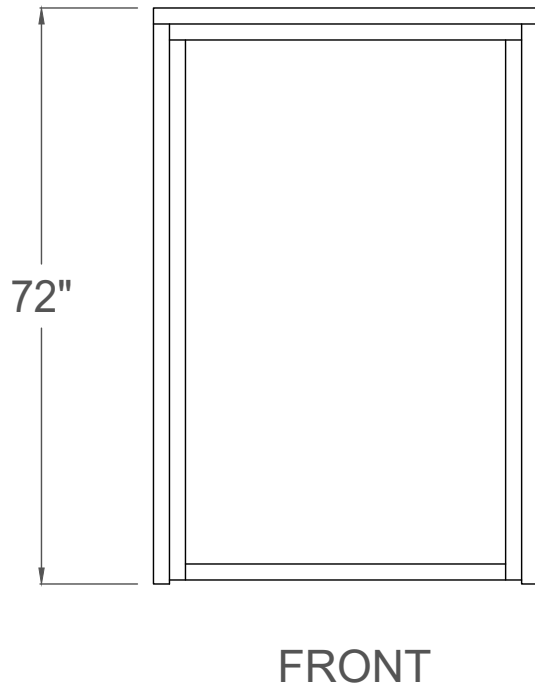
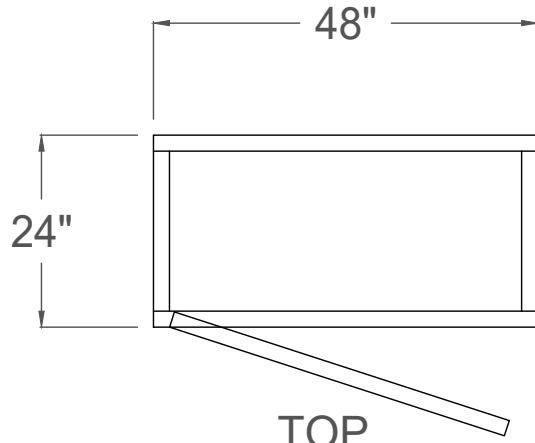


- ❖ 2" Side Loading Station Delivers 50-100gmp (40-80psi)
 - Fills a 210 gallon tank in 3 minutes at 70gpm
 - Fills a 500 gallon tank in 8 minutes at 70gpm
 - Fills a 2,000 gallon truck in 29 minutes at 70gpm

- ❖ Operating Systems Available
 - AquaTrack Internet/Cloud Based System
 - AquaFlow II RFID Card Based System
 - AquaVendor Hybrid Internet/Card based system
 - QuarterMaster Coin/Token Based System

DRAWING SCHEDULE 2" OVERHEAD

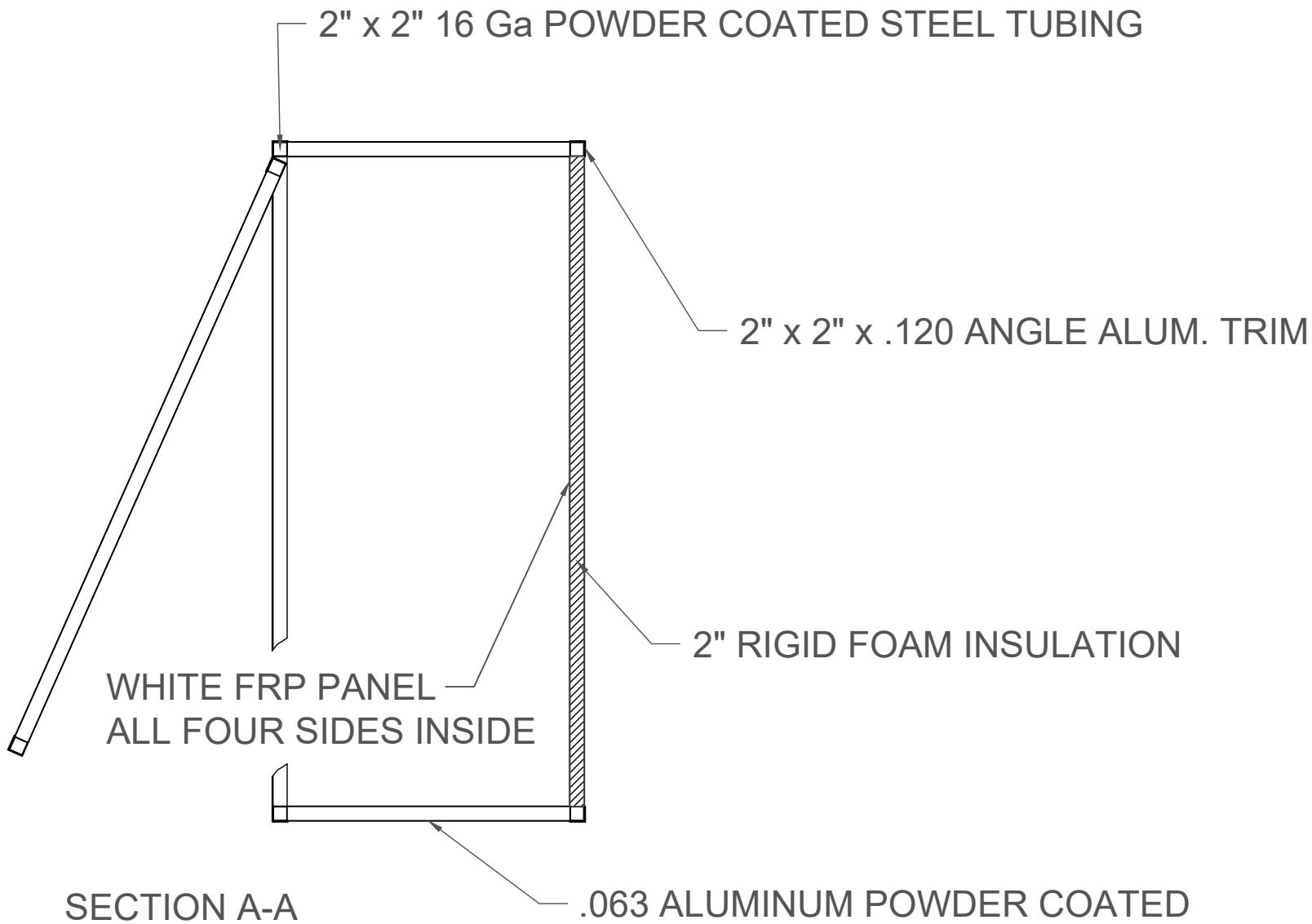
PDF LABEL	DRAWING NUMBER	DRAWING NAME
A201	1 of 12	ENCLOSURE LAYOUT
A202	2 of 12	ENCLOSURE LAYOUT SECTION A-A
A203	3 of 12	ENCLOSURE LAYOUT SECTION B-B
A204	4 of 12	COMPONENT LAYOUT
A205	5 of 12	ELECTRICAL COMPONENTS
A206	6 of 12	PLUMBING COMPONENTS
A207	7 of 12	PLUMBING / ELECTRICAL
A208	8 of 12	OVERHEAD ARM DETAIL
A209	9 of 12	SLAB LAYOUT ELEVATION
A2010	10 of 12	SLAB LAYOUT DETAIL
A2011	11 of 12	SAMPLE SITE DRAWING
A2012	12 of 12	DRAWING SCHEDULE



AQUA FLOW INT'L. INC.
 P.O. BOX 2841
 FLAGSTAFF, AZ. 86003
 (928) 380-6164



2" OVERHEAD
 LOADING STATION
 ENCLOSURE LAYOUT
 SCALE: 1/2" = 1'-0"



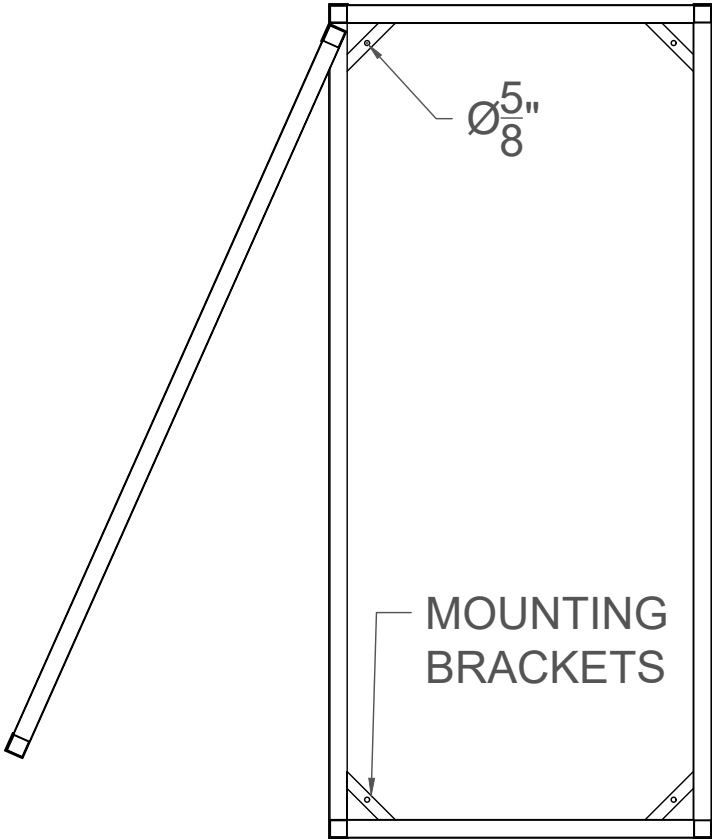
AQUA FLOW INT'L. INC.
 P.O. BOX 2841
 FLAGSTAFF, AZ. 86003
 (928) 380-6164



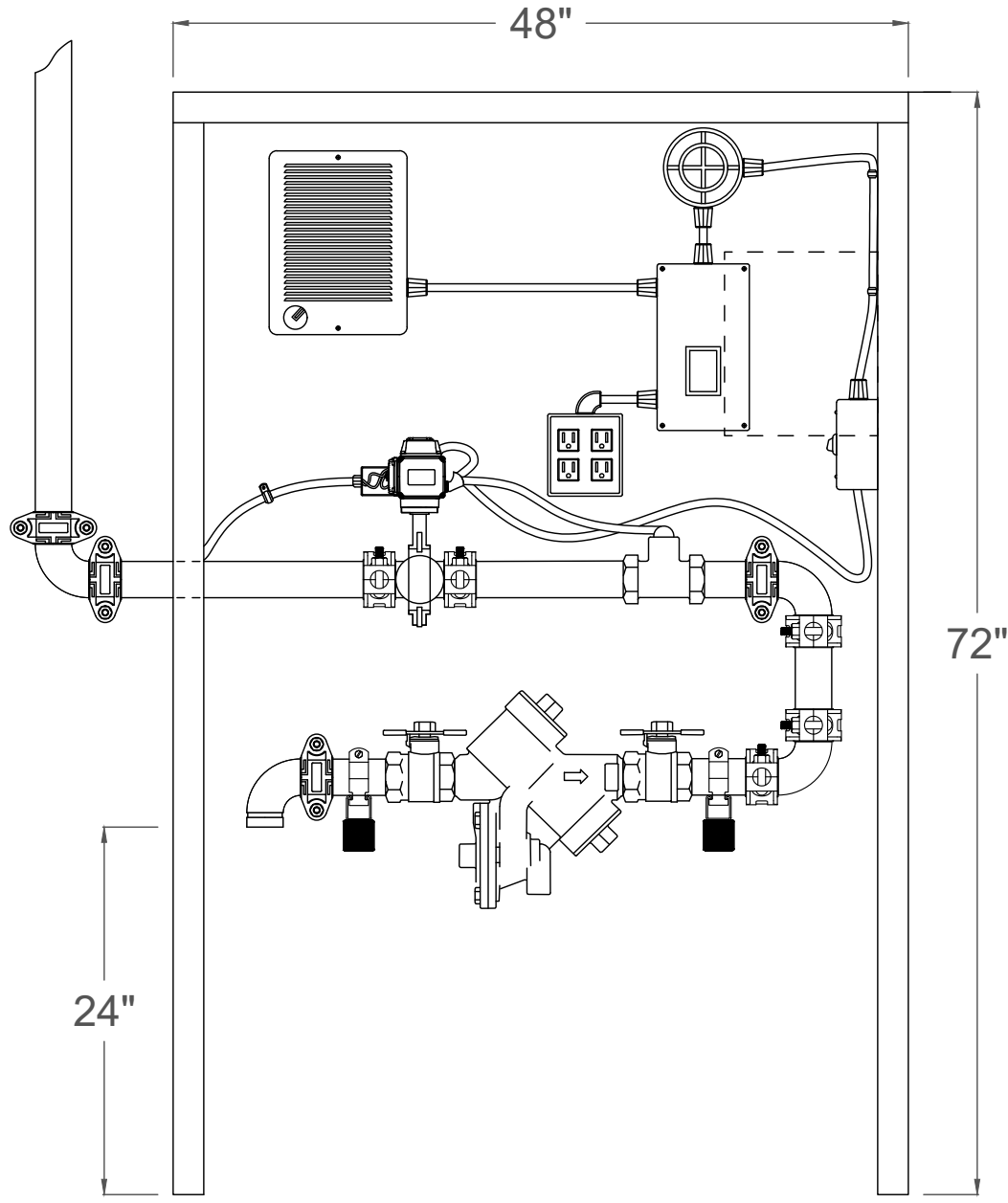
2" OVERHEAD
 LOADING STATION
 ENCLOSURE LAYOUT
 SECTION A-A
 SCALE: 1" = 1'-0"

2 OF 12

SECTION B-B



AQUA FLOW INT'L. INC.
P.O. BOX 2841
FLAGSTAFF, AZ. 86003
(928) 380-6164



2" OVERHEAD
LOADING STATION

COMPONENT LAYOUT

SCALE: 1" = 1'-0"

4

OF

12

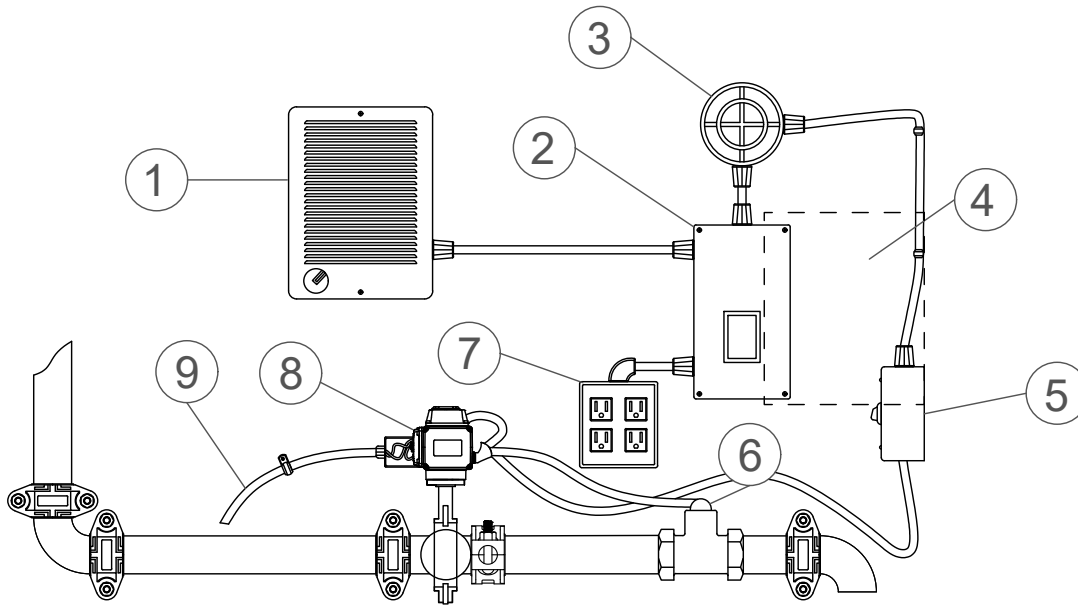


AQUA FLOW INT'L. INC.

P.O. BOX 2841

FLAGSTAFF, AZ. 86003

(928) 380-6164



BILL OF MATERIALS

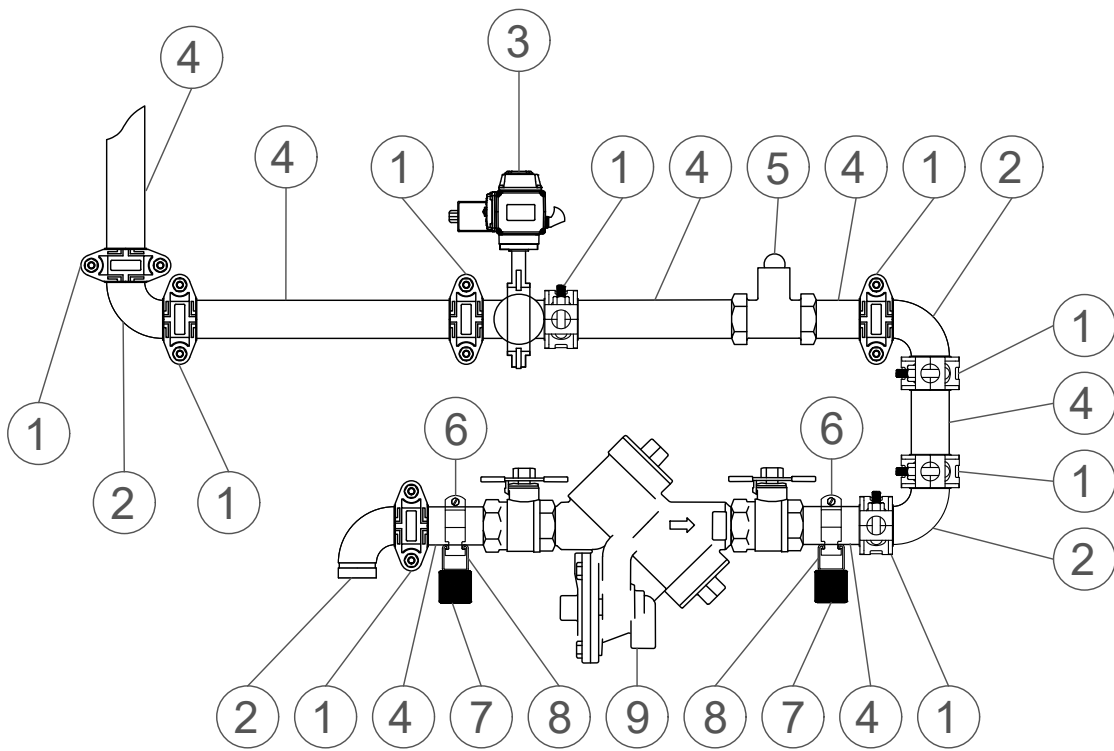
ITEM	QUAN.	DESCRIPTION
1	1	HEATER
2	1	SUB PANEL
3	1	LIGHT
4	1	CUSTOMER INTERFACE
5	1	LIGHT SWITCH
6	1	FLOW SENSOR
7	1	RECEPTICLE
8	1	BUTTERFLY VALVE
9		1/2" LFMC

AQUA FLOW INT'L. INC.
P.O. BOX 2841
FLAGSTAFF, AZ. 86003
(928) 380-6164



2" OVERHEAD
LOADING STATION
ELECTRICAL COMPONENTS
SCALE: 1" = 1'-0"

5 OF 12



BILL OF MATERIALS		
ITEM	QUAN.	DESCRIPTION
1	9	CLAMP
2	4	ELBOW
3	1	BUTTERFLY VALVE
4		2" PIPE
5	5	FLOW SENSOR
6	2	UNISTRUT CLAMP
7	2	2 X 2 SQUARE TUBING
8	2	UNISTRUT
9	1	BACK FLOW

AQUA FLOW INT'L. INC.

P.O. BOX 2841
FLAGSTAFF, AZ. 86003

(928) 380-6164



2" OVERHEAD
LOADING STATION

PLUMBING COMPONENTS

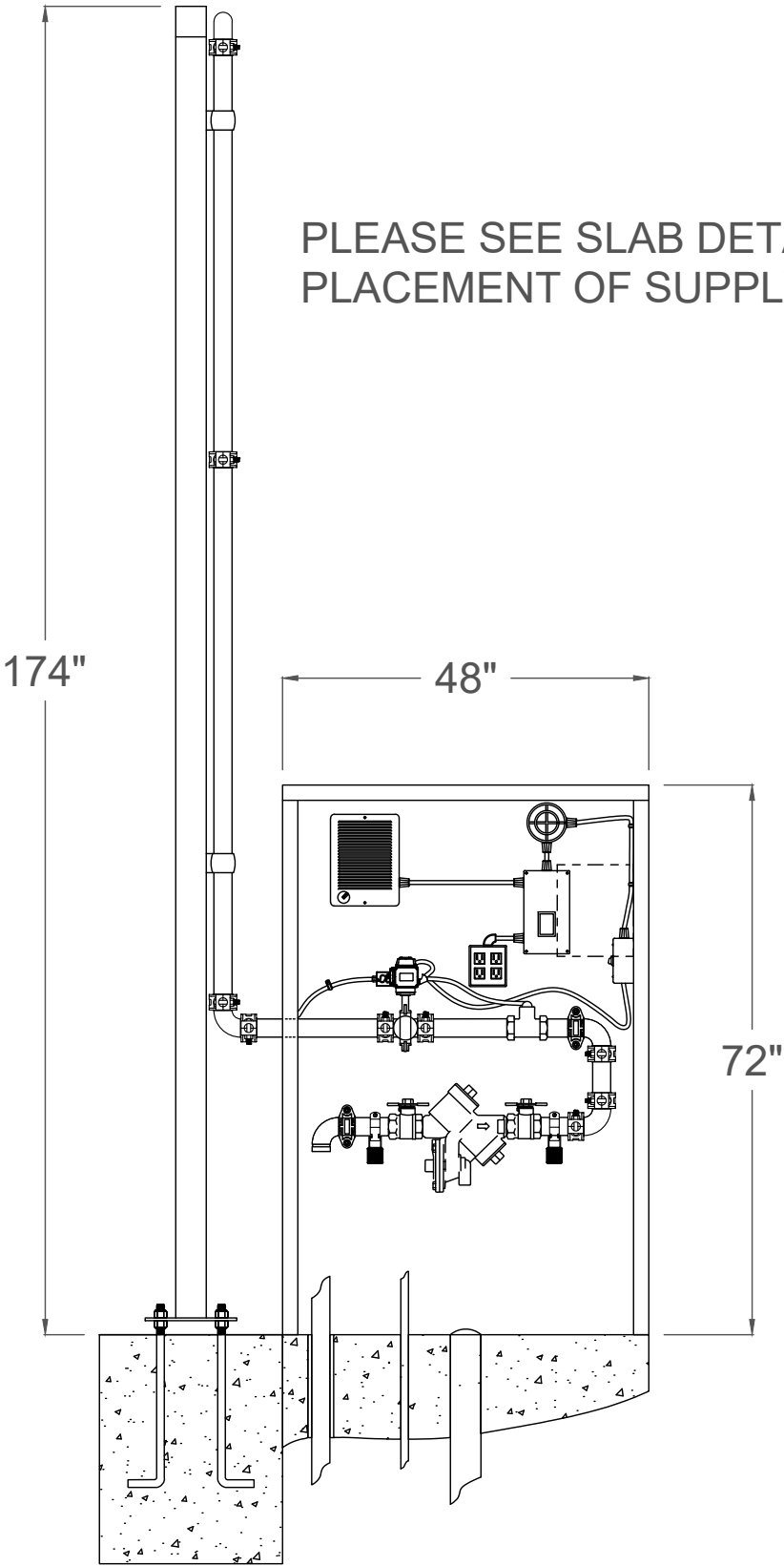
SCALE: 1" = 1'-0"

6

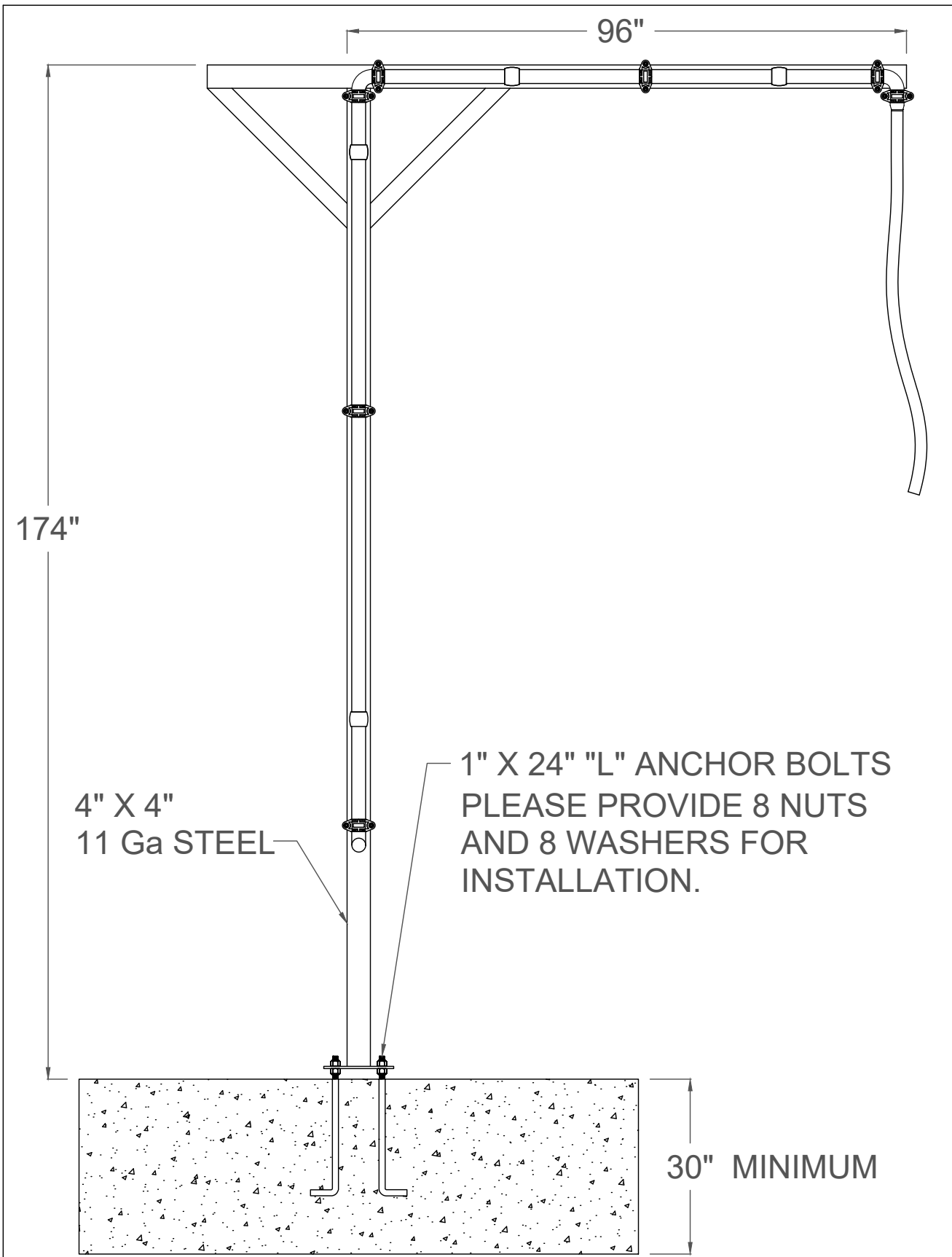
OF

12

PLEASE SEE SLAB DETAILS FOR
PLACEMENT OF SUPPLY AND DRAIN.



7 OF 12	2" OVERHEAD LOADING STATION		AQUA FLOW INT'L. INC. P.O. BOX 2841 FLAGSTAFF, AZ. 86003 (928) 380-6164
	ENCLOSURE LAYOUT PLUMBING / ELECTRICAL		
	SCALE: 1/2" = 1"-0"		



174"

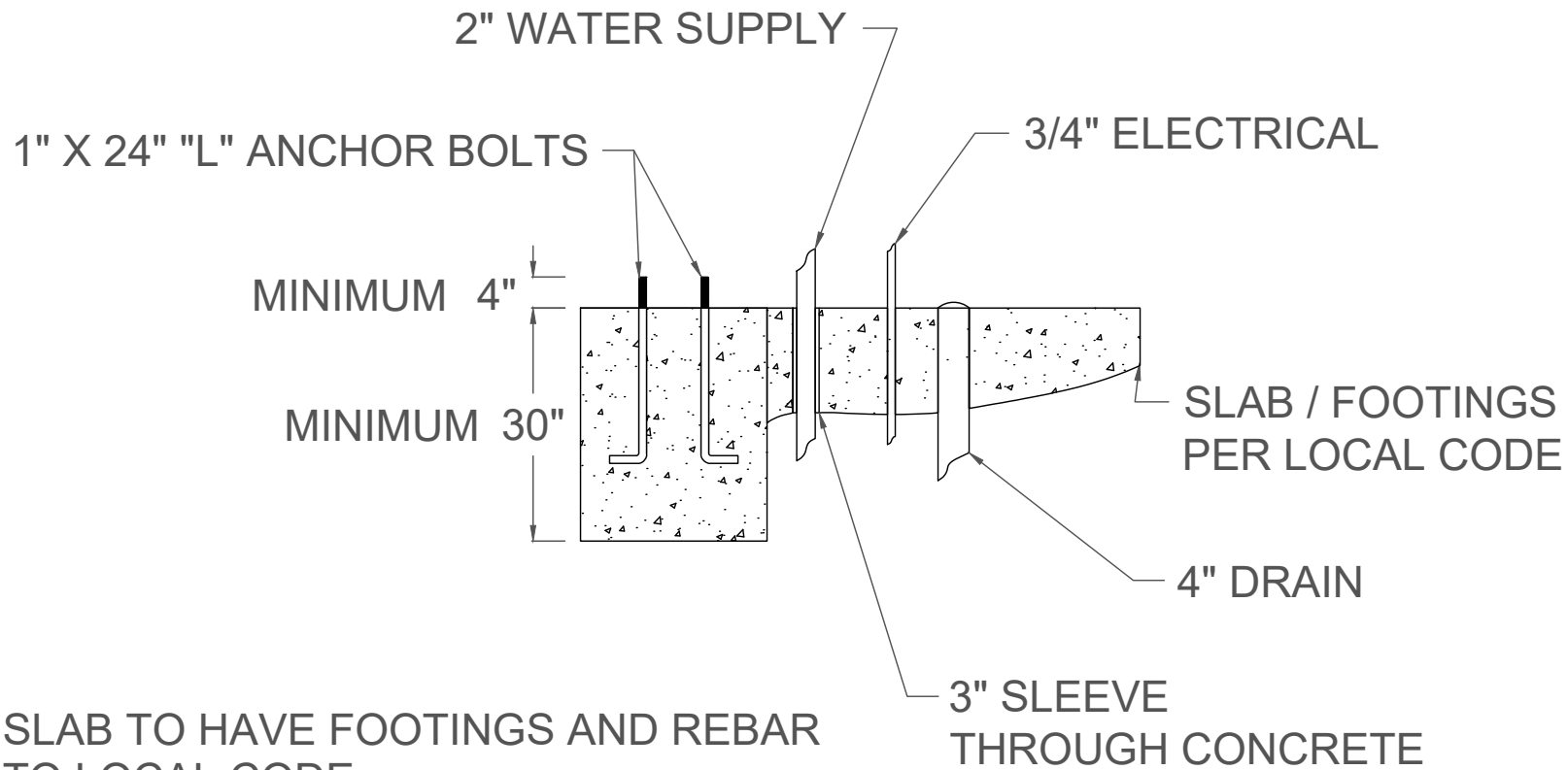
96"

4" X 4"
11 Ga STEEL

1" X 24" "L" ANCHOR BOLTS
PLEASE PROVIDE 8 NUTS
AND 8 WASHERS FOR
INSTALLATION.

30" MINIMUM

8 OF 12	2" OVERHEAD LOADING STATION		AQUA FLOW INT'L. INC. P.O. BOX 2841 FLAGSTAFF, AZ. 86003 (928) 380-6164
	OVERHEAD ARM DETAIL		
	SCALE: 1/2" = 1"-0"		



SLAB TO HAVE FOOTINGS AND REBAR TO LOCAL CODE.

SLAB UNDER OVERHEAD SUPPORT POST SHOULD BE A MINIMUM OF 30" - PLEASE CHECK WITH YOUR ENGINEER FOR THE APPROPRIATE DEPTH FOR YOUR SOIL CONDITIONS.

PLEASE SEE SLAB DETAILS FOR PLACEMENT OF SUPPLY AND DRAIN.

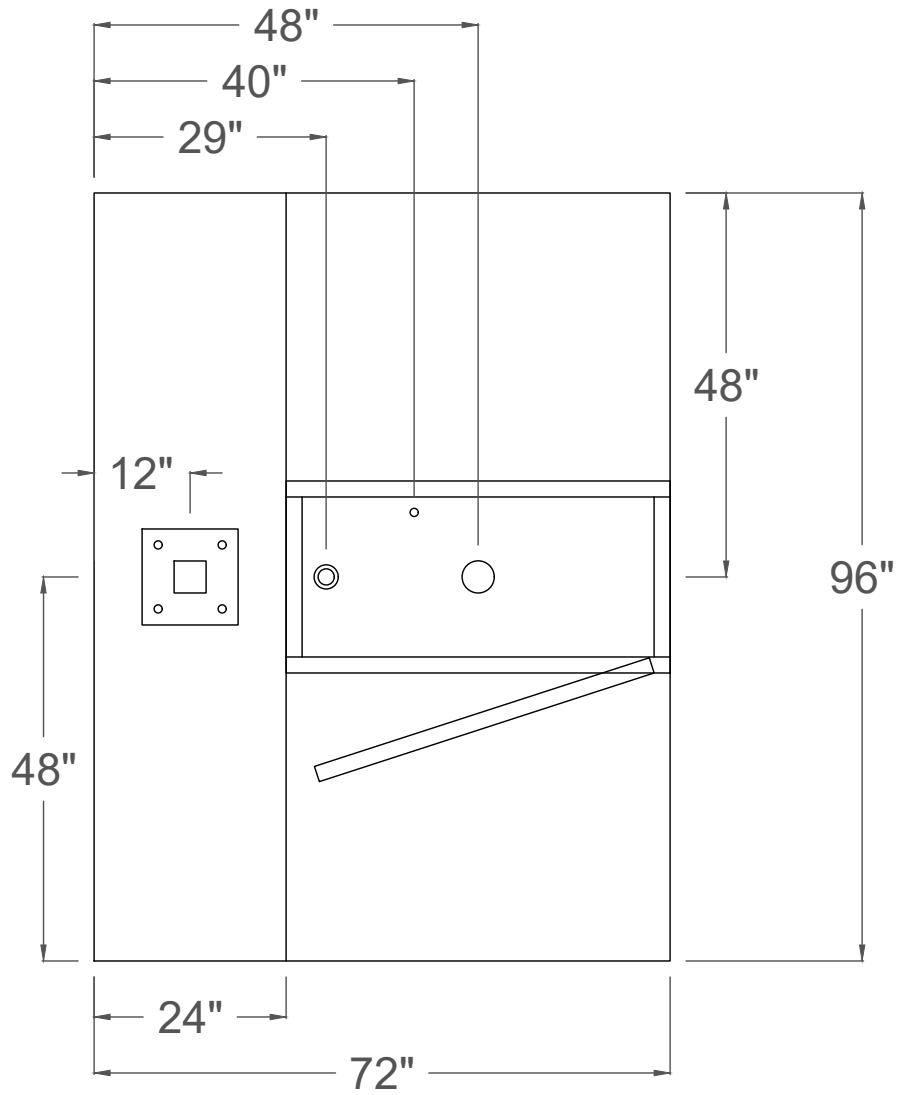
AQUA FLOW INT'L. INC.
 P.O. BOX 2841
 FLAGSTAFF, AZ. 86003
 (928) 380-6164



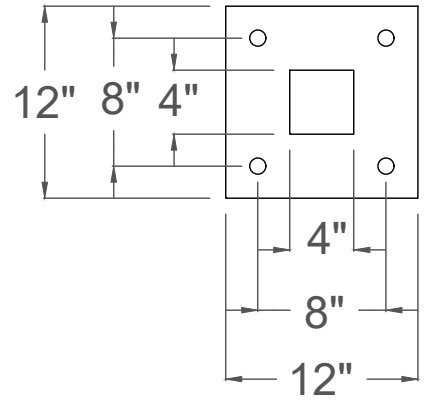
2" OVERHEAD
LOADING STATION

SLAB LAYOUT ELEVATION

SCALE: 1/2" = 1'-0"



SLAB LAYOUT
1/2" = 1' - 0"



OVERHEAD SUPPORT POST
1" X 24" "L" ANCHOR LAYOUT
1" = 1' - 0"

AQUA FLOW INT'L. INC.
P.O. BOX 2841
FLAGSTAFF, AZ. 86003
(928) 380-6164



2" OVERHEAD
LOADING STATION
SLAB LAYOUT DETAIL
SCALE: AS NOTED

CUSTOMERS
LOAD THIS
SIDE

CUSTOMER
INTERFACE

SLAB
6' X 8'

ACCESS
DOOR
SIDE

OVERHEAD ARM

AQUA FLOW INT'L. INC.
P.O. BOX 2841
FLAGSTAFF, AZ. 86003
(928) 380-6164



2" OVERHEAD
LOADING STATION

SAMPLE SITE DRAWING

SCALE: 1/4" = 1'-0"

11

OF

12